

Machine for Industrial Applications

LH 60 M

Litronic®



Operating Weight:	129,650 – 133,500 lb
Engine Output (SAE J1349):	241 HP / 180 kW
Engine Output (ISO 9249):	244 HP / 180 kW
Max. System Performance (SAE J1349):	288 kW
Max. System Performance (ISO 9249):	288 kW



LIEBHERR

Technical Data



Engine

Rating per SAE J1349	241 HP (180 kW) at 1,700 rpm
Rating per ISO 9249	244 HP (180 kW) at 1,700 rpm
Model	Liebherr D936 according to stage IIIB/Tier 4i
Type	6 cylinder in-line
Bore/Stroke	4.8/5.9 in
Displacement	640 in ³
Engine operation	4-stroke diesel Common-Rail turbo-charged and after-cooled reduced emissions
Harmful emissions values	in accordance with EPA/CARB-40CFR stage Tier 4 interim
Emission control	Liebherr particle filter
Cooling	water-cooled with integrated motor oil cooler
Air cleaner	dry-type air cleaner with pre-cleaner, primary and safety elements
Fuel tank	198 gal
Engine idling	sensor controlled
Electrical system	
Voltage	24 V
Batteries	2 x 170 Ah/12 V
Alternator	three phase current 28 V/100 A



Hydraulic System

Hydraulic pump for attachment and travel drive	two Liebherr variable flow, swashplate pumps (double construction)
Max. flow	2 x 77 gpm
Max. pressure	5,076 psi
Hydraulic pump regulation and control	electro-hydraulic with electronic engine speed sensing regulation, pressure compensation, flow compensation, automatic oil flow optimizer
Hydraulic pump for swing drive	reversible, variable flow, swashplate pump, closed-loop circuit
Max. flow	50 gpm
Max. pressure	5,511 psi
Hydraulic tank	77 gal
Hydraulic system	235 gal
Hydraulic oil filter	2 main return filters with integrated partial micro filtration (5 µm)
Hydraulic oil cooler	compact cooling system consisting cooling unit for water, hydraulic oil and charge air with stepless thermostatically controlled fan
MODE selection	adjustment of engine and hydraulic performance via a mode pre-selector to match application, e.g. for especially economical and environmentally friendly operation or for maximum material handling and heavy-duty jobs
S (Sensitive)	for precision work and lifting through very sensitive movements
E (ECO)	for especially economical and environmentally friendly operation
P (Power)	for maximum digging power and heavy duty jobs
Tool Control (Option)	ten preadjustable pump flows and pressures for add on tools



Hydraulic Controls

Power distribution	via control valves in single block with integrated safety valves
Servo circuit	
Attachment and swing	with hydraulic pilot control and proportional joystick levers
Travel	electroproportional via foot pedal
Additional functions	via switch or electroproportional foot pedals
Option	proportional control, proportionally acting transmitters on the joysticks for additional hydraulic functions



Swing Drive

Drive	Liebherr swashplate motor in a closed system with integrated brake valve
Transmission	Liebherr planetary reduction gear
Swing ring	Liebherr, sealed single race ball bearing swing ring, internal teeth
Swing speed	0 – 7.6 rpm stepless
Swing torque	88,500 lbf ft
Brake	holding brake (spring applied – pressure released)
Option	pedal controlled positioning swing brake



Uppercarriage

Type	slewing platform made from high-strength steel plate, designed for the toughest requirements
------	--



Operator's Cab

Cab	safety cab structure with individual windscreens or featuring a slide-in subpart under the ceiling, work headlights integrated in the ceiling, a door with a side window (can be opened on both sides), large stowing and depositing possibilities, shock-absorbing suspension, sounddamping insulating, tinted laminated safety glass, separate shades for the sunroof window and windscreen
Operator's seat Standard	air cushioned operator's seat with headrest, lap belt, seat heater, manual weight adjustment, adjustable seat cushion inclination and length and mechanical lumbar vertebrae support
Operator's seat Comfort (Option)	in addition to operator's seat standard: lockable horizontal suspension, automatic weight adjustment, adjustable suspension stiffness, pneumatic lumbar vertebrae support and passive seat climatisation with active coal
Operator's seat Premium (Option)	in addition to operator's seat comfort: active electronic weight adjustment (automatic readjustment), pneumatic low frequency suspension and active seat climatisation with active coal and ventilator
Control system	joysticks with arm consoles and swivel seat
Operation and displays	large high-resolution operating unit, self-explanatory, colour display with touchscreen, video-compatible, numerous setting, control and monitoring options, e.g. air conditioning control, fuel consumption, machine and tool parameters
Air-conditioning	automatic air-conditioning, recirculated air function, fast de-icing and demisting at the press of a button, air vents can be operated via a menu; recirculated air and fresh air filters can be easily replaced and are accessible from the outside; heating-cooling unit, designed for extreme out-side temperatures, sensors for solar radiation, inside and outside temperatures

Noise emission	
ISO 6396	L _{PA} (inside cab) = 71 dB(A)
2000/14/EC	L _{WA} (surround noise) = 105 dB(A)



Undercarriage

Type	torsion-resistant box design made from high-strength steel plate, designed for the toughest requirements
Drive	variable flow swashplate motor with automatic brake valve
Travel speed	0 – 6.8 mph stepless
Driving operation	automotive driving using accelerator pedal, cruise control function: storage of variable accelerator pedal positions
Axles	154,320 lb drive axles; manual or automatic hydraulically controlled front axle oscillation lock
Service brake	disc brake, two circuit travel brake system with accumulator
Holding brake	wet, maintenance-free multi disc brakes
Stabilization	4 point outriggers



Attachment

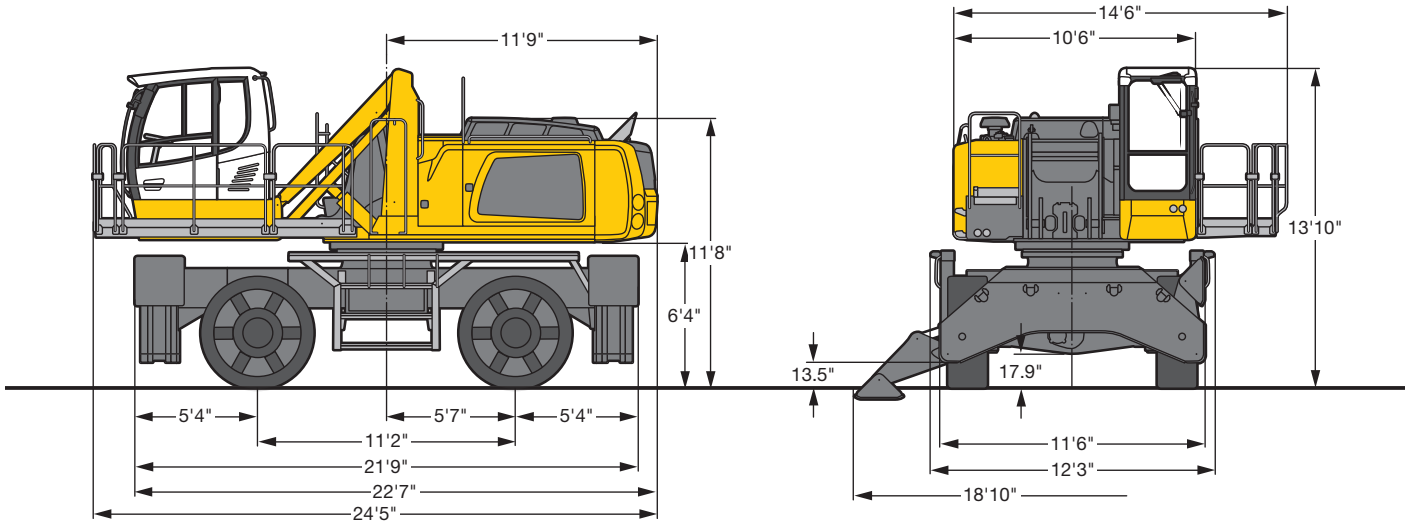
Type	high-strength steel plates at highly stressed points for the toughest requirements. Complex and stable mountings of attachment and cylinders.
Hydraulic cylinders	Liebherr cylinders with special seal system. Shock absorption
Energy recovering cylinder	Liebherr gas cylinder with special sealing and control system
Bearings	sealed, low maintenance



Complete Machine

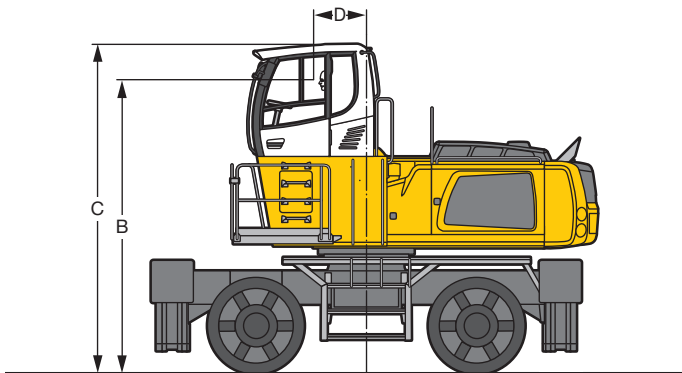
Lubrication	central lubrication system for uppercarriage and attachment, automatically
-------------	--

Dimensions



Choice of Cab Elevation

Cab Elevation LFC (Rigid Elevation)

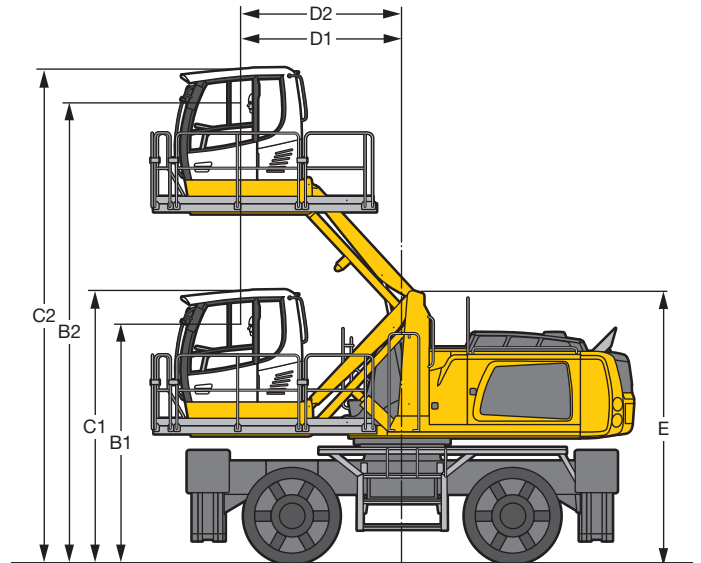


Increase Type	LFC 80	LFC 120	LFC 150
Height	2'7"	3'11"	4'11"
B	13'7"	14'10"	15'10"
C	15'4"	16' 8"	17' 7"
D	2'8"	2' 8"	2' 8"

A rigid cab elevation has a fixed eye level height. For a lower transport height, the shell of the cab can be removed and replaced by a transport device. The dimension C is in this machine design for all rigid cab elevations 13'8".

Tires 20.5 x 25

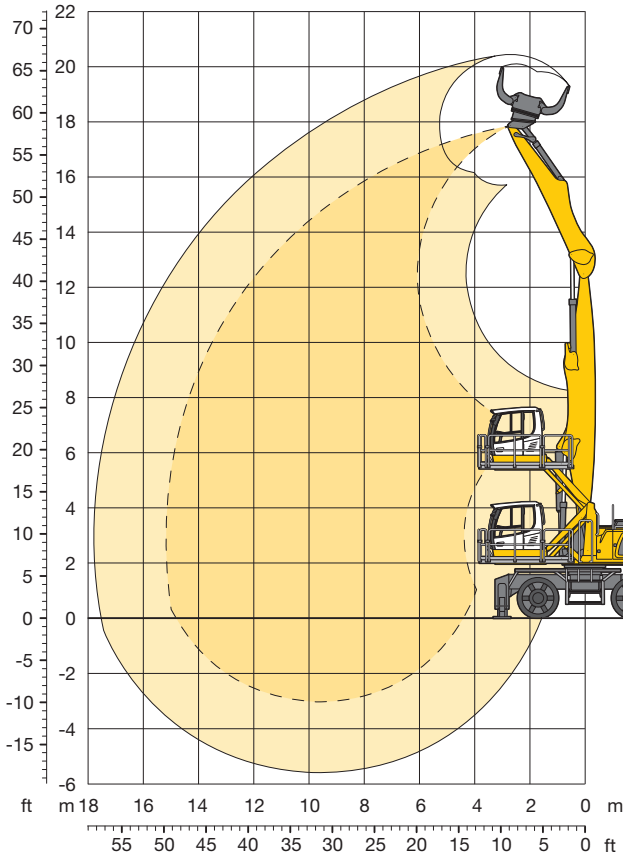
Cab Elevation LHC (Hydraulic Elevation)



Increase Type	LHC 255	LHC 340-35
B1	10'11"	12' 1"
B2	19' 3"	23' 3"
C1	12' 8"	13'10"
C2	21' 1"	25' 1"
D1	4' 6"	8' 2"
D2	4'11"	8' 2"
E	12' 6"	13' 9"

The hydraulically adjustable cab allows the driver, that he can choose his field of view freely and at any time within the stroke.

Attachment GK15 (Kinematic 2A)

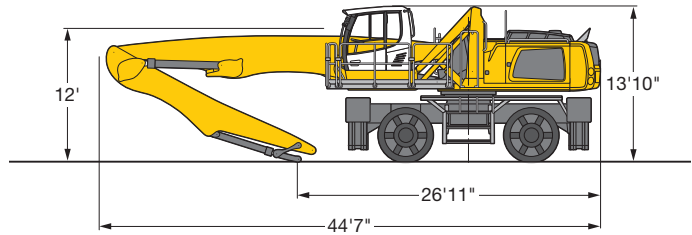


Operating Weight

The operating weight includes basic machine with 4 point outriggers, hydr. cab elevation, 4 solid tires, industrial-type straight mono boom 31'2" and industrial-type stick with tipping kinematics 19'8".

with sorting grab SG 40/1.70 yd³ tines | 131,600 lb

Dimensions



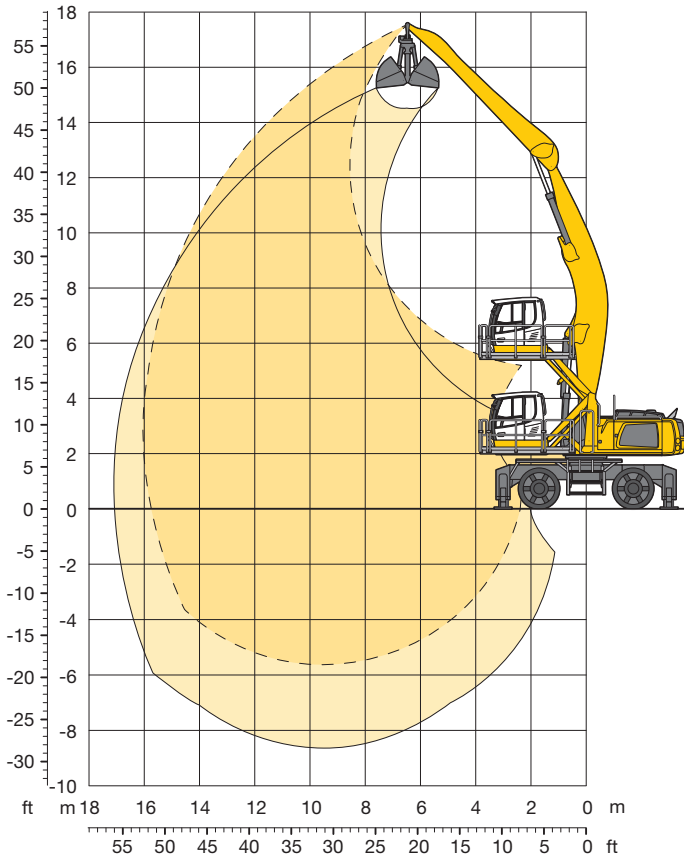
Industrial Stick 19'8"

ft	Undercarriage	10 ft	15 ft	20 ft	25 ft	30 ft	35 ft	40 ft	45 ft	50 ft	55 ft	60 ft	65 ft	ft in
55	Stabilizers raised													27,1"
	4 pt. outriggers down													27,1"
50	Stabilizers raised		34,7"	34,7"	28,1"	28,1"								20' 7"
	4 pt. outriggers down		34,7"	34,7"	28,1"	28,1"								29' 4"
45	Stabilizers raised				25,8"	28,6"								13,7' 17,5"
	4 pt. outriggers down				33,0"	33,0"	28,6"	28,6"						19,3' 19,3"
40	Stabilizers raised				33,7"	33,7"	26,7"	28,6"	19,2"	24,0"	13,9"	17,7"		10,9' 14,1"
	4 pt. outriggers down				33,7"	33,7"	28,6"	28,6"	25,2"	25,2"	19,8"	19,8"		13,7' 17,5"
35	Stabilizers raised				33,4"	33,4"	26,8"	28,4"	19,4"	24,2"	14,4"	18,2"		19,3' 19,3"
	4 pt. outriggers down				33,4"	33,4"	28,4"	28,4"	24,9"	24,9"	22,3"	22,3"		10,9' 14,1"
30	Stabilizers raised				33,9"	33,9"	26,5"	28,6"	19,3"	24,0"	14,4"	18,2"		17,9' 17,9"
	4 pt. outriggers down				33,9"	33,9"	28,6"	28,6"	24,9"	24,9"	22,2"	22,2"		9,1' 12,0"
25	Stabilizers raised				35,1"	35,1"	25,6"	29,4"	18,7"	23,5"	14,1"	17,9"		17,1' 17,1"
	4 pt. outriggers down				35,1"	35,1"	29,4"	29,4"	25,4"	25,4"	22,4"	22,4"		8,0' 10,6"
20	Stabilizers raised		37,7"	37,7"	34,9"	37,2"	24,3"	30,6"	17,9"	22,6"	13,6"	17,4"		16,6' 16,6"
	4 pt. outriggers down		37,7"	37,7"	37,2"	37,2"	30,6"	30,6"	26,1"	26,1"	22,9"	22,9"		7,2' 9,7"
15	Stabilizers raised	80,1"	80,1"	50,1"	52,9"	31,9"	39,8"	22,5"	28,7"	16,8"	21,5"	12,9"		16,4' 16,4"
	4 pt. outriggers down	80,1"	80,1"	52,9"	52,9"	39,8"	39,8"	32,1"	32,1"	27,0"	27,0"	23,4"		6,6' 9,0"
10	Stabilizers raised			24,2"	24,2"	28,5"	37,3"	20,6"	26,7"	15,6"	20,3"	12,2"		16,2' 16,2"
	4 pt. outriggers down			24,2"	24,2"	42,6"	42,6"	33,7"	33,7"	27,9"	27,9"	23,8"		6,3' 8,6"
5	Stabilizers raised		5,1"	5,1"	25,4"	34,0"	18,8"	24,8"	14,5"	19,1"	11,4"	15,1"		15,3' 15,3"
	4 pt. outriggers down		5,1"	5,1"	44,4"	44,4"	34,7"	34,7"	28,5"	28,5"	24,1"	24,1"		8,1' 8,4"
0	Stabilizers raised		5,1"	5,1"	23,4"	26,9"	17,4"	23,3"	13,6"	18,1"	10,8"	14,5"		14,3' 14,3"
	4 pt. outriggers down		5,1"	5,1"	26,9"	26,9"	34,8"	34,8"	28,5"	28,5"	23,9"	23,9"		6,1' 8,4"
-5	Stabilizers raised		8,8"	8,8"	22,3"	24,6"	16,5"	22,4"	12,9"	17,4"	10,3"	14,0"		13,1' 13,1"
	4 pt. outriggers down		8,8"	8,8"	24,6"	24,6"	33,3"	33,3"	27,5"	27,5"	22,9"	22,9"		8,2' 8,6"
-10	Stabilizers raised				22,0"	26,9"	16,1"	22,0"	12,5"	17,0"	10,1"	13,7"		7,1' 9,8"
	4 pt. outriggers down				26,9"	26,9"	30,0"	30,0"	25,1"	25,1"	20,9"	20,9"		12,0' 12,0"
-15	Stabilizers raised													13,3' 13,3"
	4 pt. outriggers down													13,3' 13,3"

↑ Height ↓ Can be slewed through 360° ↓ In longitudinal position of undercarriage ↓ Max. reach * Limited by hydr. capacity

The lift capacities on the stick end without attachment are stated in lb x 1,000 and are valid on a firm, level supporting surface with blocked oscillating axle. These capacities can be slewed through 360° with the undercarriage in the transverse position. Capacities in the longitudinal position of the undercarriage (+/- 15°) are specified over the steering axle with the stabilizers raised and over the rigid axle with the stabilizers down. Indicated loads comply with the ISO 10567 standard and do not exceed 75 % of tipping or 87 % of hydraulic capacity. The lift capacity values indicated are attained at the corresponding operating temperature. This operating temperature is ensured by continuous movement of the boom. Weights of fitted working tools (grabs, load hooks, etc.) and load accommodation equipment are to be deducted from the lift capacity values. The lift capacity of the unit is limited by its stability, the lifting capability of the hydraulic elements, or the maximum permissible lifting capacity of the load hook.

Attachment AG 16 (Kinematic 2D)

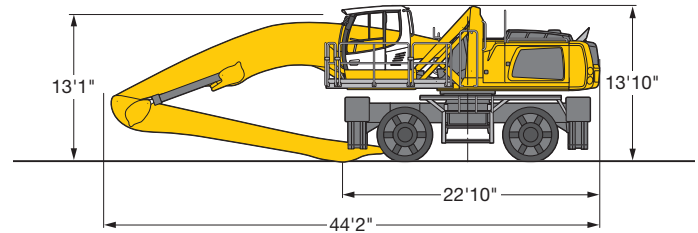


Operating Weight

The operating weight includes basic machine with 4 point outriggers, hydr. cab elevation, 4 solid tires, industrial-type angled mono boom 31'2" and industrial-type straight stick 23'11".

with clamshell model GM 20B/2.62 yd ³ shells for loose material	130,200 lb
---	------------

Dimensions



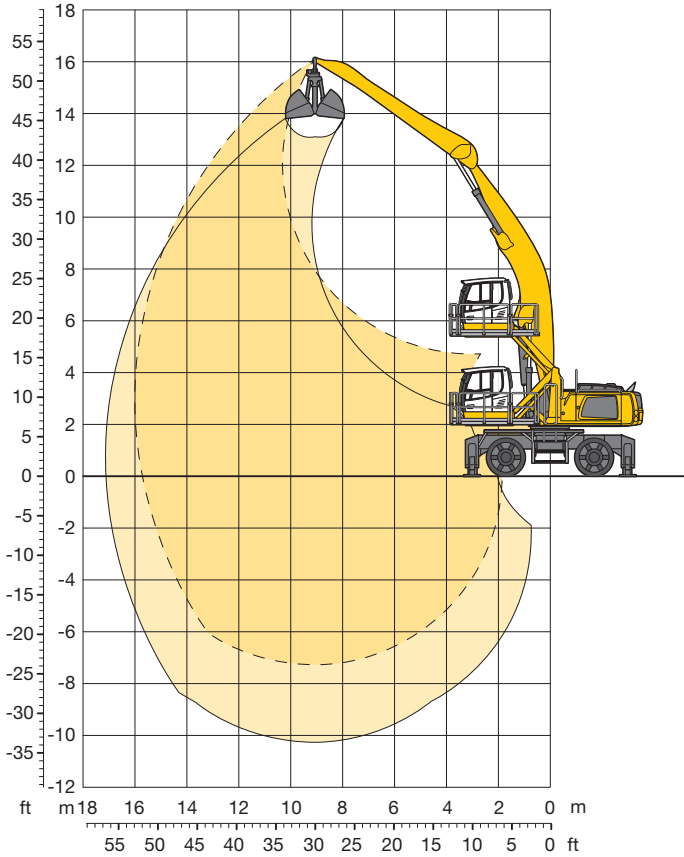
Industrial Stick 23'11"

ft	Undercarriage	10 ft		15 ft		20 ft		25 ft		30 ft		35 ft		40 ft		45 ft		50 ft		55 ft		60 ft		65 ft		ft in					
		Stabilizers raised	4 pt. outriggers down	Stabilizers raised	4 pt. outriggers down	Stabilizers raised	4 pt. outriggers down	Stabilizers raised	4 pt. outriggers down	Stabilizers raised	4 pt. outriggers down	Stabilizers raised	4 pt. outriggers down	Stabilizers raised	4 pt. outriggers down	Stabilizers raised	4 pt. outriggers down	Stabilizers raised	4 pt. outriggers down	Stabilizers raised	4 pt. outriggers down	Stabilizers raised	4 pt. outriggers down	Stabilizers raised	4 pt. outriggers down						
55	Stabilizers raised							19,8*	19,8*																18,4*	18,4*	26' 2"				
55	4 pt. outriggers down							19,8*	19,8*																	18,4*	18,4*	26' 2"			
50	Stabilizers raised									20,3*	20,3*															16,2*	16,2*	33' 5"			
50	4 pt. outriggers down									20,3*	20,3*															16,2*	16,2*	33' 5"			
45	Stabilizers raised									21,2*	21,2*	16,9	19,6*														13,7	15,1*	38' 8"		
45	4 pt. outriggers down									21,2*	21,2*	19,6*	19,6*														15,1*	15,1*	38' 8"		
40	Stabilizers raised									21,0*	21,0*	17,1	19,3*	13,2	16,4													11,3	14,3	42' 10"	
40	4 pt. outriggers down									21,0*	21,0*	19,3*	19,3*	18,1*	18,1*													14,5*	14,5*	45' 11"	
35	Stabilizers raised									21,2*	21,2*	17,0	19,4*	10,2	13,0													9,8	12,4	50' 2"	
35	4 pt. outriggers down									21,2*	21,2*	19,4*	19,4*	18,0*	18,0*	15,8*	15,8*											14,1*	14,1*	51' 5"	
30	Stabilizers raised									21,8*	21,8*	16,7	19,8*	13,0	16,2	10,2	12,9											8,6	11,1	51' 5"	
30	4 pt. outriggers down									21,8*	21,8*	19,8*	19,8*	18,2*	18,2*	17,0*	17,0*											14,0*	14,0*	51' 5"	
25	Stabilizers raised								25,7*	25,7*	20,9	22,7*	16,0	19,9	12,6	15,8	10,0	12,7	7,9	10,3								7,8	10,2	50' 2"	
25	4 pt. outriggers down								25,7*	25,7*	22,7*	22,7*	20,4*	20,4*	18,6*	18,6*	17,2*	17,2*	14,4*	14,4*								14,0*	14,0*	50' 2"	
20	Stabilizers raised					33,0*	33,0*	26,3	27,6*	19,7	23,9*	15,3	19,1	12,1	15,3	9,7	12,4	7,8	10,1									7,3	9,5	51' 5"	
20	4 pt. outriggers down					33,0*	33,0*	27,6*	27,6*	23,9*	23,9*	21,2*	21,2*	19,1*	19,1*	17,5*	17,5*	16,2*	16,2*									14,2*	14,2*	51' 5"	
15	Stabilizers raised	73,9*	73,9*	48,5*	48,5*	33,7	36,6*	24,2	29,7*	18,3	23,1	14,3	18,1	11,5	14,6	9,3	12,0	7,5	9,9									6,9	9,1	52' 2"	
15	4 pt. outriggers down	73,9*	73,9*	48,5*	48,5*	36,6*	36,6*	29,7*	29,7*	25,3*	25,3*	22,1*	22,1*	19,7*	19,7*	17,9*	17,9*	16,4*	16,4*									14,6*	14,6*	52' 2"	
10	Stabilizers raised			41,3*	41,3*	29,8	38,7	21,9	28,1	16,9	21,6	13,4	17,2	10,8	14,0	8,8	11,5	7,3	9,6									6,6	8,8	52' 2"	
10	4 pt. outriggers down			41,3*	41,3*	40,2*	40,2*	31,9*	31,9*	26,6*	26,6*	23,0*	23,0*	20,3*	20,3*	18,2*	18,2*	16,5*	16,5*									15,1*	15,1*	52' 2"	
5	Stabilizers raised	6,2*	6,2*	20,1*	20,1*	26,6	35,2	19,9	26,0	15,6	20,2	12,5	16,2	10,2	13,3	8,4	11,1	7,0	9,3									6,5	8,7	52' 2"	
5	4 pt. outriggers down	6,2*	6,2*	20,1*	20,1*	42,9*	42,9*	33,7*	33,7*	27,8*	27,8*	23,8*	23,8*	20,8*	20,8*	18,5*	18,5*	16,4	16,4*									15,3	15,4*	52' 2"	
0	Stabilizers raised	9,0*	9,0*	18,0*	18,0*	24,4	32,8	18,4	24,3	14,5	19,1	11,7	15,4	9,7	12,8	8,1	10,7	6,8	9,1									6,5	8,7	51' 6"	
0	4 pt. outriggers down	9,0*	9,0*	18,0*	18,0*	38,7*	38,7*	34,7*	34,7*	28,6*	28,6*	24,2*	24,2*	21,0*	21,0*	18,4*	18,4*	16,0*	16,0*									15,2*	15,2*	51' 6"	
-5	Stabilizers raised	12,4*	12,4*	19,4*	19,4*	23,1	31,5	17,4	23,3	13,7	18,3	11,2	14,9	9,3	12,4	7,8	10,5	6,7	9,0									6,6	8,9	50' 4"	
-5	4 pt. outriggers down	12,4*	12,4*	19,4*	19,4*	34,0*	34,0*	34,8*	34,8*	28,6*	28,6*	24,2*	24,2*	20,8*	20,8*	18,0*	18,0*	15,1*	15,1*									14,9*	14,9*	50' 4"	
-10	Stabilizers raised			21,7*	21,7*	22,6	30,9	16,8	22,7	13,2	17,8	10,8	14,5	9,0	12,1	7,7	10,3											6,9	9,4	48' 7"	
-10	4 pt. outriggers down			21,7*	21,7*	33,8*	33,8*	33,5*	33,5*	27,8*	27,8*	23,5*	23,5*	20,0*	20,0*	16,8*	16,8*											14,3*	14,3*	48' 7"	
-15	Stabilizers raised					22,6	30,9	16,6	22,5	13,1	17,6	10,7	14,3	9,0	12,0														8,0	10,3	43' 8"
-15	4 pt. outriggers down					35,6*	35,6*	30,7*	30,7*	25,7*	25,7*	21,6*	21,6*	18,1*	18,1*													15,4*	15,4*	43' 8"	

Height Can be slewed through 360° In longitudinal position of undercarriage Max. reach * Limited by hydr. capacity

The lift capacities on the stick end without attachment are stated in lb x 1,000 and are valid on a firm, level supporting surface with blocked oscillating axle. These capacities can be slewed through 360° with the undercarriage in the transverse position. Capacities in the longitudinal position of the undercarriage (+/- 15°) are specified over the steering axle with the stabilizers raised and over the rigid axle with the stabilizers down. Indicated loads comply with the ISO 10567 standard and do not exceed 75% of tipping or 87% of hydraulic capacity. The lift capacity values indicated are attained at the corresponding operating temperature. This operating temperature is ensured by continuous movement of the boom. Weights of fitted working tools (grabs, load hooks, etc.) and load accommodation equipment are to be deducted from the lift capacity values. The lift capacity of the unit is limited by its stability, the lifting capability of the hydraulic elements, or the maximum permissible lifting capacity of the load hook.

Attachment AG16 (Kinematic 2C)

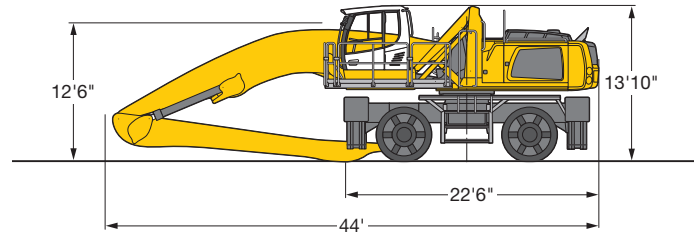


Operating Weight

The operating weight includes basic machine with 4 point outriggers, hydr. cab elevation, 4 solid tires, industrial-type angled mono boom 31'2" and industrial-type straight stick 23'11".

with clamshell model GM 20B/2.62 yd ³ shells for loose material	130,200 lb
---	------------

Dimensions



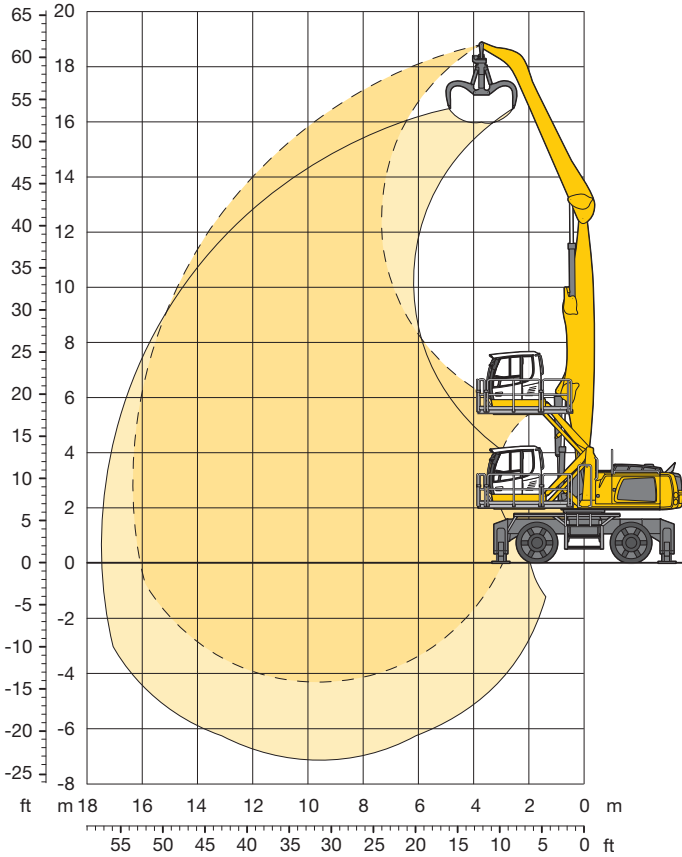
Industrial Stick 23'11"

ft	Undercarriage	10 ft		15 ft		20 ft		25 ft		30 ft		35 ft		40 ft		45 ft		50 ft		55 ft		60 ft		65 ft		ft in			
		Stabilizers raised	4 pt. outriggers down	Stabilizers raised	4 pt. outriggers down	Stabilizers raised	4 pt. outriggers down	Stabilizers raised	4 pt. outriggers down	Stabilizers raised	4 pt. outriggers down	Stabilizers raised	4 pt. outriggers down	Stabilizers raised	4 pt. outriggers down	Stabilizers raised	4 pt. outriggers down	Stabilizers raised	4 pt. outriggers down	Stabilizers raised	4 pt. outriggers down	Stabilizers raised	4 pt. outriggers down	Stabilizers raised	4 pt. outriggers down	Stabilizers raised	4 pt. outriggers down		
50	Stabilizers raised																									16.2"	16.2"	33' 5"	
45	4 pt. outriggers down																										16.2"	16.2"	33' 5"
45	Stabilizers raised												16.9	17.8"												13.7	15.1"	38' 8"	
40	4 pt. outriggers down												17.8	17.8"												15.1	15.1"	38' 8"	
40	Stabilizers raised												17.1	17.5"	13.2	16.4										11.4	14.3	42'10"	
40	4 pt. outriggers down												17.5	17.5"	16.7	16.7"										14.5	14.5"	42'10"	
35	Stabilizers raised												17.0	17.6"	13.2	16.4	10.3	13.0								9.8	12.4	45'11"	
35	4 pt. outriggers down												17.6	17.6"	16.6	16.6"	15.8	15.8"								14.1	14.1"	45'11"	
30	Stabilizers raised												16.7	18.0"	13.0	16.2	10.2	13.0								8.7	11.1	48' 4"	
30	4 pt. outriggers down												18.0	18.0"	16.8	16.8"	15.9	15.9"								14.0	14.0"	48' 4"	
25	Stabilizers raised									20.5	20.5"	16.1	18.7"	12.6	15.8	10.0	12.7	7.9	10.3							7.9	10.2	50' 2"	
25	4 pt. outriggers down									20.5	20.5"	18.7	18.7"	17.2	17.2"	16.2	16.2"	14.4	14.4"							14.0	14.0"	50' 2"	
20	Stabilizers raised							25.0	25.0"	19.7	21.8"	15.3	19.1"	12.1	15.3	9.7	12.4	7.8	10.1							7.3	9.5	51' 5"	
20	4 pt. outriggers down							25.0	25.0"	21.8	21.8"	19.6	19.6"	17.8	17.8"	16.5	16.5"	15.5	15.5"							14.2	14.2"	51' 5"	
15	Stabilizers raised	67.3"	67.3"	44.1"	44.1"	33.5"	33.5"	24.2	27.4"	18.3	23.1	14.4	18.2	11.5	14.6	9.3	12.0	7.5	9.9							6.9	9.1	52' 2"	
15	4 pt. outriggers down	67.3"	67.3"	44.1"	44.1"	33.5"	33.5"	27.4"	27.4"	23.4	23.4"	20.6	20.6"	18.6	18.6"	17.0	17.0"	15.8	15.8"							14.6	14.6"	52' 2"	
10	Stabilizers raised			41.3"	41.3"	29.8	37.5"	21.9	28.1	16.9	21.6	13.4	17.2	10.8	14.0	8.8	11.5	7.3	9.6							6.6	8.8	52' 5"	
10	4 pt. outriggers down			41.3"	41.3"	37.5"	37.5"	29.8	29.8"	25.0	25.0"	21.7	21.7"	19.3	19.3"	17.5	17.5"	16.0	16.0"							15.1	15.1"	52' 5"	
5	Stabilizers raised	6.2"	6.2"	20.1"	20.1"	26.6	35.2	19.9	26.0	15.6	20.2	12.5	16.2	10.2	13.3	8.4	11.1	7.0	9.4							6.5	8.7	52' 2"	
5	4 pt. outriggers down	6.2"	6.2"	20.1"	20.1"	40.9	40.9"	32.0	32.0"	26.5	26.5"	22.7	22.7"	20.0	20.0"	17.9	17.9"	16.2	16.2"							15.3	15.4"	52' 2"	
0	Stabilizers raised			9.0"	9.0"	18.0	18.0"	24.4	32.9	18.4	24.4	14.5	19.1	11.8	15.5	9.7	12.8	8.1	10.7	6.8	9.1				6.5	8.7	51' 6"		
0	4 pt. outriggers down			9.0"	9.0"	18.0	18.0"	38.7	38.7"	33.6	33.6"	27.6	27.6"	23.5	23.5"	20.5	20.5"	18.1	18.1"	16.1	16.1"				15.4	15.4"	51' 6"		
-5	Stabilizers raised	12.4"	12.4"	19.4"	19.4"	23.1	31.5	17.4	23.3	13.7	18.3	11.2	14.9	9.3	12.4	7.8	10.5	6.7	9.0							6.6	8.9	50' 4"	
-5	4 pt. outriggers down	12.4"	12.4"	19.4"	19.4"	34.0	34.0"	34.3	34.3"	28.2	28.2"	23.9	23.9"	20.6	20.6"	18.0	18.0"	15.5	15.5"							15.3	15.3"	50' 4"	
-10	Stabilizers raised	15.7"	15.7"	21.7"	21.7"	22.6	30.9	16.8	22.7	13.2	17.8	10.8	14.5	9.0	12.1	7.7	10.3									6.9	9.4	48' 7"	
-10	4 pt. outriggers down	15.7"	15.7"	21.7"	21.7"	33.8	33.8"	33.8	33.8"	27.9	27.9"	23.6	23.6"	20.2	20.2"	17.3	17.3"									15.0	15.0"	48' 7"	
-15	Stabilizers raised			24.4"	24.4"	22.5	30.9	16.6	22.5	13.1	17.6	10.7	14.3	9.0	12.0	7.7	10.4									7.5	10.1	46' 2"	
-15	4 pt. outriggers down			24.4"	24.4"	35.6	35.6"	31.9	31.9"	26.6	26.6"	22.4	22.4"	18.9	18.9"	15.4	15.4"									14.4	14.4"	46' 2"	
-20	Stabilizers raised					22.9	31.3	16.8	22.7	13.2	17.7	10.8	14.4	9.1	12.2												8.4	11.2	43'
-20	4 pt. outriggers down					33.5	33.5"	28.2	28.2"	23.7	23.7"	19.8	19.8"	16.0	16.0"											13.4	13.4"	43'	

↑ Height 🛠️ Can be slewed through 360° 🚧 In longitudinal position of undercarriage 🚛 Max. reach * Limited by hydr. capacity

The lift capacities on the stick end without attachment are stated in lb x 1,000 and are valid on a firm, level supporting surface with blocked oscillating axle. These capacities can be slewed through 360° with the undercarriage in the transverse position. Capacities in the longitudinal position of the undercarriage (+/- 15°) are specified over the steering axle with the stabilizers raised and over the rigid axle with the stabilizers down. Indicated loads comply with the ISO 10567 standard and do not exceed 75 % of tipping or 87 % of hydraulic capacity. The lift capacity values indicated are attained at the corresponding operating temperature. This operating temperature is ensured by continuous movement of the boom. Weights of fitted working tools (grabs, load hooks, etc.) and load accommodation equipment are to be deducted from the lift capacity values. The lift capacity of the unit is limited by its stability, the lifting capability of the hydraulic elements, or the maximum permissible lifting capacity of the load hook.

Attachment GA16 (Kinematic 2A)

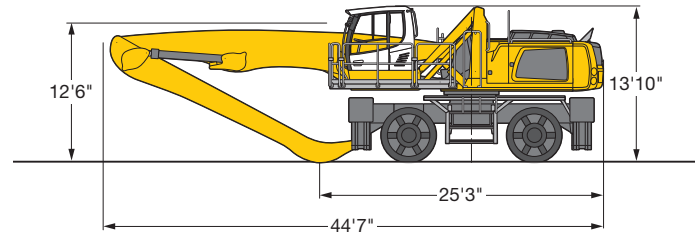


Operating Weight

The operating weight includes basic machine with 4 point outriggers, hydr. cab elevation, 4 solid tires, industrial-type straight mono boom 31'2" and industrial-type angled stick 23'11".

with grapple model GM 70C/1.44 yd³ semi-closed tines | 129,650 lb

Dimensions



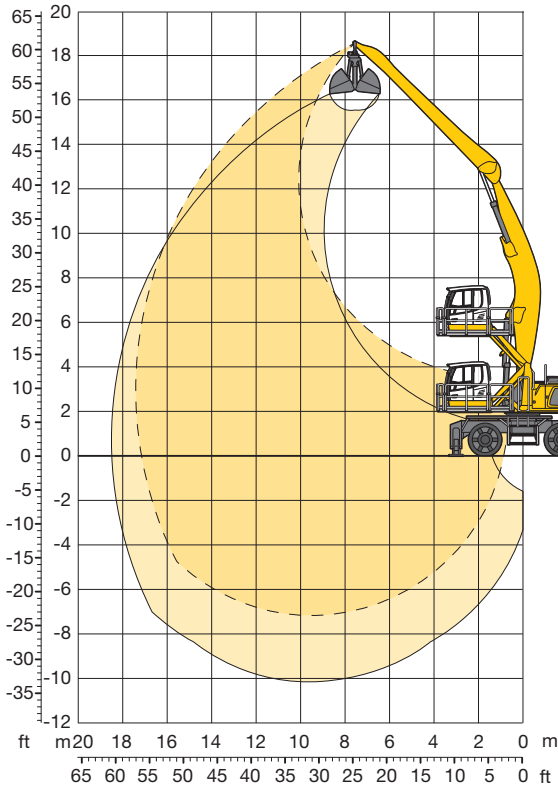
Industrial Stick 23'11"

ft	Undercarriage	10 ft	15 ft	20 ft	25 ft	30 ft	35 ft	40 ft	45 ft	50 ft	55 ft	60 ft	65 ft	ft in
60	Stabilizers raised		28.4*	28.4*										25.1*
	4 pt. outriggers down		28.4*	28.4*										25.1*
55	Stabilizers raised			27.5*	27.5*									19.3*
	4 pt. outriggers down			27.5*	27.5*									19.3*
50	Stabilizers raised				26.6*	26.6*	21.1	23.2*	15.7	17.2*				15.5
	4 pt. outriggers down				26.6*	26.6*	23.2*	23.2*	17.2*	17.2*				16.9*
45	Stabilizers raised				27.6*	27.6*	21.6	24.6*	16.3	20.2	12.4	15.6		12.3
	4 pt. outriggers down				27.6*	27.6*	24.6*	24.6*	22.4*	22.4*	16.0*	16.0*		15.6*
40	Stabilizers raised				27.4*	27.4*	21.7	24.4*	16.5	20.4	12.8	15.9		10.3
	4 pt. outriggers down				27.4*	27.4*	24.4*	24.4*	22.1*	22.1*	20.3*	20.3*		14.8*
35	Stabilizers raised				27.7*	27.7*	21.5	24.5*	16.4	20.2	10.0	12.7		8.9
	4 pt. outriggers down				27.7*	27.7*	24.5*	24.5*	22.1*	22.1*	20.3*	20.3*		14.3*
30	Stabilizers raised				28.3	28.5*	20.9	25.0*	16.0	19.9	12.6	15.7		8.0
	4 pt. outriggers down				28.5*	28.5*	25.0*	25.0*	22.4*	22.4*	20.4*	20.4*		14.1*
25	Stabilizers raised				32.7*	32.7*	20.1	24.8	15.5	19.3	12.2	15.4	7.8	10.2
	4 pt. outriggers down				32.7*	32.7*	29.7*	29.7*	25.8*	25.8*	22.9*	22.9*		14.0*
20	Stabilizers raised				34.6*	34.6*	35.9	37.9*	25.3	31.4*	18.9	23.7	14.7	18.5
	4 pt. outriggers down				34.6*	34.6*	37.9*	37.9*	31.4*	31.4*	26.9*	26.9*	23.6*	23.6*
15	Stabilizers raised	73.4*	73.4*		49.9	54.6*	32.4	41.1*	23.3	29.4	17.7	22.4	13.9	17.6
	4 pt. outriggers down	73.4*	73.4*		54.6*	54.6*	41.1*	41.1*	33.2*	33.2*	28.0*	28.0*	24.2*	24.2*
10	Stabilizers raised				30.9*	30.9*	28.8	37.6	21.2	27.3	16.4	21.0	13.0	16.8
	4 pt. outriggers down				30.9*	30.9*	43.9*	43.9*	34.8*	34.8*	29.0*	29.0*	24.8*	24.8*
5	Stabilizers raised	2.7*	2.7*		15.2*	15.2*	26.0	34.5	19.5	25.4	15.2	19.8	12.3	15.9
	4 pt. outriggers down	2.7*	2.7*		15.2*	15.2*	45.5*	45.5*	35.8*	35.8*	29.5*	29.5*	25.1*	25.1*
0	Stabilizers raised	6.0*	6.0*		14.6*	14.6*	24.2	32.6	18.2	24.1	14.3	18.8	11.6	15.3
	4 pt. outriggers down	6.0*	6.0*		14.6*	14.6*	34.5*	34.5*	35.7*	35.7*	29.4*	29.4*	24.8*	24.8*
-5	Stabilizers raised				16.8*	16.8*	23.2	31.3*	17.4	23.2	13.7	18.2	11.2	14.8
	4 pt. outriggers down				16.8*	16.8*	31.3*	31.3*	34.1*	34.1*	28.2*	28.2*	23.8*	23.8*
-10	Stabilizers raised				22.9	31.2	17.0	22.8	13.4	17.9	10.9	14.6	9.2	12.2
	4 pt. outriggers down				32.2*	32.2*	30.5*	30.5*	25.7*	25.7*	21.6*	21.6*	17.9*	17.9*

Height Can be slewed through 360° In longitudinal position of undercarriage Max. reach * Limited by hydr. capacity

The lift capacities on the stick end without attachment are stated in lb x 1,000 and are valid on a firm, level supporting surface with blocked oscillating axle. These capacities can be slewed through 360° with the undercarriage in the transverse position. Capacities in the longitudinal position of the undercarriage (+/- 15°) are specified over the steering axle with the stabilizers raised and over the rigid axle with the stabilizers down. Indicated loads comply with the ISO 10567 standard and do not exceed 75% of tipping or 87% of hydraulic capacity. The lift capacity values indicated are attained at the corresponding operating temperature. This operating temperature is ensured by continuous movement of the boom. Weights of fitted working tools (grabs, load hooks, etc.) and load accommodation equipment are to be deducted from the lift capacity values. The lift capacity of the unit is limited by its stability, the lifting capability of the hydraulic elements, or the maximum permissible lifting capacity of the load hook.

Attachment AG17 (Kinematic 2D)

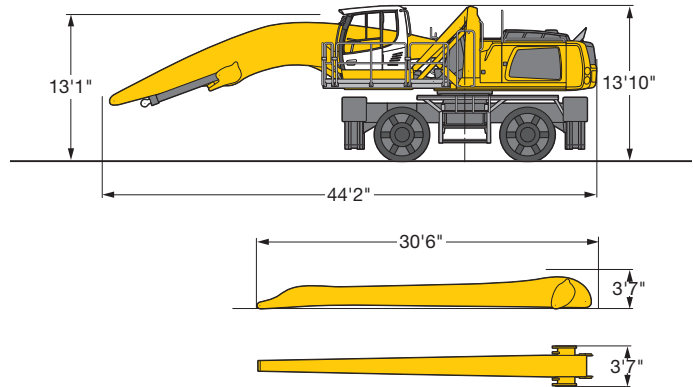


Operating Weight

The operating weight includes basic machine with 4 point outriggers, hydr. cab elevation, 4 solid tires, industrial-type angled mono boom 31'2" and industrial-type straight stick 28'10".

with clamshell model GM 20B/2.62 yd ³ shells for loose material	130,850 lb
---	------------

Dimensions



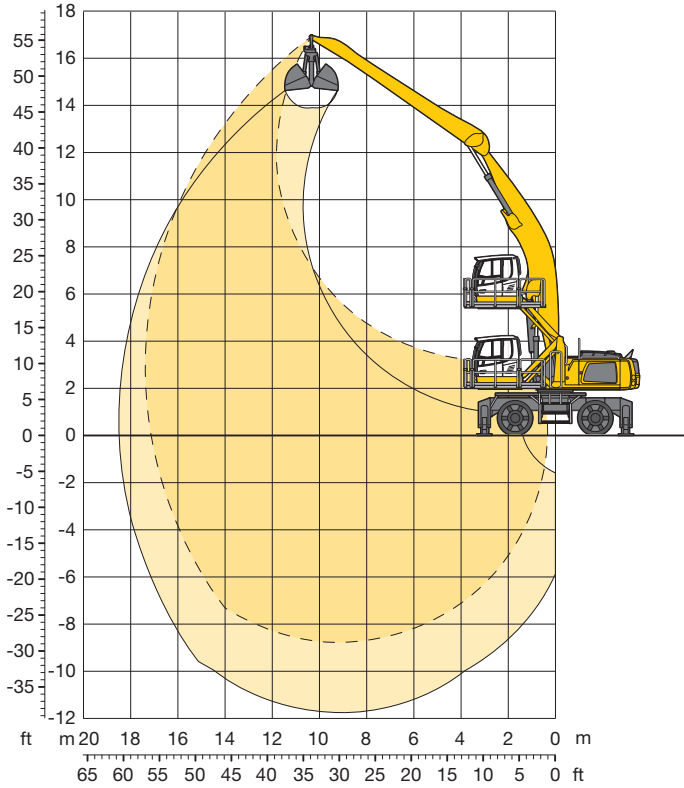
Industrial Stick 28'10"

ft	Undercarriage	10 ft		15 ft		20 ft		25 ft		30 ft		35 ft		40 ft		45 ft		50 ft		55 ft		60 ft		65 ft		ft in							
		Stabilizers raised	4 pt. outriggers down	Stabilizers raised	4 pt. outriggers down	Stabilizers raised	4 pt. outriggers down	Stabilizers raised	4 pt. outriggers down	Stabilizers raised	4 pt. outriggers down	Stabilizers raised	4 pt. outriggers down	Stabilizers raised	4 pt. outriggers down	Stabilizers raised	4 pt. outriggers down	Stabilizers raised	4 pt. outriggers down	Stabilizers raised	4 pt. outriggers down	Stabilizers raised	4 pt. outriggers down	Stabilizers raised	4 pt. outriggers down	Stabilizers raised	4 pt. outriggers down						
60																											15,8"	15,8"	26"	7"			
55										17,6"	17,6"																	13,7"	13,7"	34"	6"		
50												17,3"	17,3"	12,8"	12,8"													12,5"	12,5"	40"	4"		
45												17,6"	17,6"	14,1"	16,6"													10,9"	11,9"	44"	8"		
40												17,5"	17,5"	14,3"	16,4"													9,3"	11,4"	48"	4"		
35												17,6"	17,6"	14,2"	16,4"			11,1"	13,9"	8,7"	11,0"							8,2"	10,5"				
30												17,6"	17,6"	16,4"	16,4"			15,5"	15,5"	12,8"	12,8"							11,2"	11,2"	51"	1"		
25												17,8"	18,0"	13,9"	16,7"			10,9"	13,7"	8,6"	11,0"							7,3"	9,5"				
20												18,0"	18,0"	16,7"	16,7"			15,6"	15,6"	14,8"	14,8"							11,1"	11,1"	53"	4"		
15												20,5"	20,5"	17,2"	18,6"	13,4"	16,7"	10,6"	13,4"	8,5"	10,8"							6,7"	8,8"				
10												20,5"	20,5"	18,6"	18,6"	17,1"	17,1"	15,9"	15,9"	14,9"	14,9"							11,1"	11,1"	54"	11"		
5												24,6"	24,6"	19,7"	23,1"	15,3"	19,1"	12,1"	15,3"	8,2"	10,6"	6,5"	8,6"					11,3"	11,3"	56"	1"		
0												32,1"	32,1"	26,8"	26,8"	23,1"	23,1"	20,4"	20,4"	18,4"	18,4"	16,8"	16,8"	15,4"	15,4"	14,3"	14,3"	11,5"	11,5"	56"	10"		
-5												73,3"	73,3"	47,9"	47,9"	33,3"	36,0"	29,9"	29,1"	24,6"	24,6"	21,4"	21,4"	19,1"	19,1"	17,2"	17,2"	15,7"	15,7"	14,4"	14,4"	11,9"	11,9"
-10												12,5"	12,5"	43,3"	45,2"	29,2"	38,0"	21,4"	27,6"	16,5"	21,2"	13,1"	16,9"	10,6"	13,7"	8,6"	11,3"	7,1"	9,5"	5,9"	8,0"	5,5"	7,5"
-15												12,5"	12,5"	45,2"	45,2"	39,6"	39,6"	31,3"	31,3"	26,1"	26,1"	22,4"	22,4"	19,7"	19,7"	17,7"	17,7"	15,9"	15,9"	14,2"	14,4"	12,4"	12,4"
-20												10,9"	10,9"	23,9"	23,9"	25,9"	34,5"	19,3"	25,4"	15,1"	19,7"	12,1"	15,8"	9,9"	13,0"	8,1"	10,8"	6,8"	9,1"	5,7"	7,8"	5,4"	7,5"
												10,9"	10,9"	23,9"	23,9"	42,1"	42,1"	33,1"	33,1"	27,2"	27,2"	23,2"	23,2"	20,3"	20,3"	17,9"	17,9"	16,0"	16,0"	14,0"	14,1"	13,0"	13,0"
												12,3"	12,3"	21,0"	21,0"	23,7"	32,1"	17,8"	23,7"	14,0"	18,5"	11,3"	15,0"	9,3"	12,4"	7,7"	10,4"	6,5"	8,8"	5,5"	7,6"	5,5"	7,6"
												14,4"	14,4"	21,3"	21,3"	22,4"	30,7"	16,7"	22,6"	13,2"	17,7"	10,7"	14,4"	8,8"	11,9"	7,4"	10,1"	6,3"	8,7"	5,7"	7,9"	5,7"	7,9"
												14,4"	14,4"	21,3"	21,3"	35,5"	35,5"	34,0"	34,0"	28,0"	28,0"	23,7"	23,7"	20,3"	20,3"	17,6"	17,6"	15,1"	15,1"	13,1"	13,1"	11,1"	11,1"
												22,6"	22,6"	22,6"	22,6"	34,6"	34,6"	32,8"	32,8"	27,1"	27,1"	22,9"	22,9"	19,5"	19,5"	16,6"	16,6"	13,5"	13,5"	12,5"	12,5"	10,5"	10,5"
												21,7"	30,0"	16,0"	21,8"	12,5"	17,0"	10,2"	13,8"	8,5"	11,6"							7,3"	10,0"	7,3"	10,0"	5,1"	4"
												35,6"	35,6"	30,0"	30,0"	25,0"	25,0"	21,0"	21,0"	17,6"	17,6"							14,4"	14,4"	14,4"	14,4"	14,4"	14,4"

Height Can be slewed through 360° In longitudinal position of undercarriage Max. reach * Limited by hydr. capacity

The lift capacities on the stick end without attachment are stated in lb x 1,000 and are valid on a firm, level supporting surface with blocked oscillating axle. These capacities can be slewed through 360° with the undercarriage in the transverse position. Capacities in the longitudinal position of the undercarriage (+/- 15°) are specified over the steering axle with the stabilizers raised and over the rigid axle with the stabilizers down. Indicated loads comply with the ISO 10567 standard and do not exceed 75 % of tipping or 87 % of hydraulic capacity. The lift capacity values indicated are attained at the corresponding operating temperature. This operating temperature is ensured by continuous movement of the boom. Weights of fitted working tools (grabs, load hooks, etc.) and load accommodation equipment are to be deducted from the lift capacity values. The lift capacity of the unit is limited by its stability, the lifting capability of the hydraulic elements, or the maximum permissible lifting capacity of the load hook.

Attachment AG 17 (Kinematic 2C)

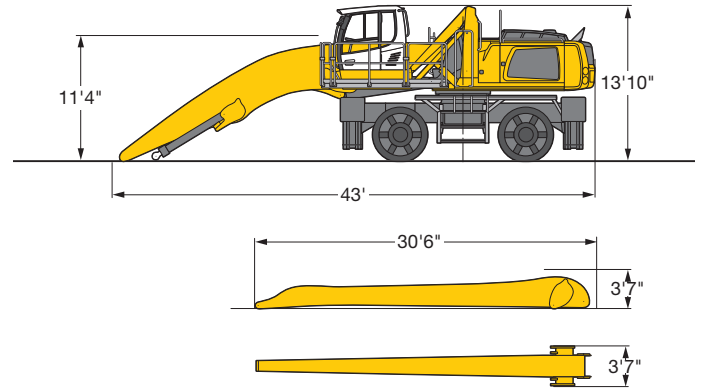


Operating Weight

The operating weight includes basic machine with 4 point outriggers, hydr. cab elevation, 4 solid tires, industrial-type angled mono boom 31'2" and industrial-type straight stick 28'10".

with clamshell model GM 20B/2.62 yd ³ shells for loose material	130,850 lb
---	------------

Dimensions



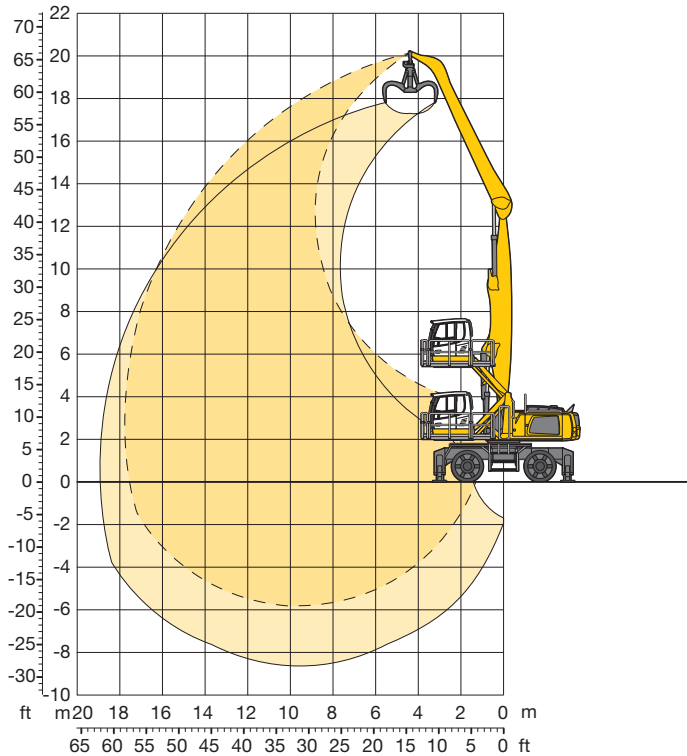
Industrial Stick 28'10"

ft	Undercarriage	10 ft		15 ft		20 ft		25 ft		30 ft		35 ft		40 ft		45 ft		50 ft		55 ft		60 ft		65 ft		ft in			
		Height	Can be slewed through 360°	Height	Can be slewed through 360°	Height	Can be slewed through 360°	Height	Can be slewed through 360°	Height	Can be slewed through 360°	Height	Can be slewed through 360°	Height	Can be slewed through 360°	Height	Can be slewed through 360°	Height	Can be slewed through 360°	Height	Can be slewed through 360°	Height	Can be slewed through 360°	Height	Can be slewed through 360°				
55	Stabilizers raised 4 pt. outriggers down																								13.7' 13.7'	13.7' 13.7'	34' 6"		
50	Stabilizers raised 4 pt. outriggers down														12.8' 12.8'	12.8' 12.8'										12.5' 12.5'	12.5' 12.5'	40' 4"	
45	Stabilizers raised 4 pt. outriggers down														14.1' 15.0'	15.0' 15.0'										11.0' 11.9'	11.9' 11.9'	44' 8"	
40	Stabilizers raised 4 pt. outriggers down														14.3' 14.8'	14.8' 14.3'	13.9' 14.3'									9.3' 11.4'	11.4' 8.2'	48' 4"	
35	Stabilizers raised 4 pt. outriggers down														14.2' 14.8'	14.8' 14.2'	13.9' 14.2'	8.7' 12.8'	11.1' 12.8'							8.2' 11.2'	10.5' 11.2'	51' 1"	
30	Stabilizers raised 4 pt. outriggers down														13.9' 15.1'	15.1' 15.1'	11.0' 14.4'	8.6' 13.8'	11.0' 13.8'							7.3' 11.1'	9.5' 53' 4"	53' 4"	
25	Stabilizers raised 4 pt. outriggers down												16.7'	16.7'	16.7' 16.7'	16.7' 15.6'	10.9' 15.6'	10.9' 14.7'	10.9' 14.0'							6.7' 11.1'	8.8' 54' 11"	54' 11"	
20	Stabilizers raised 4 pt. outriggers down												16.3'	17.6'	17.6' 16.2'	16.2' 15.1'	10.6' 15.1'	10.6' 14.3'	10.6' 14.3'	6.5'	8.6'					6.2' 11.3'	8.3' 11.3'	56' 1"	
15	Stabilizers raised 4 pt. outriggers down												19.8'	21.0'	21.0' 17.6'	21.0' 17.6'	15.3' 16.2'	15.3' 15.1'	15.3' 14.3'			6.5'	8.6'				5.9' 11.5'	7.9' 56' 10"	56' 10"
10	Stabilizers raised 4 pt. outriggers down	66.8"	66.8"	43.6"	43.6"	32.9"	32.9"	23.9"	26.7"	18.1"	22.7"	14.2"	18.0"	11.3"	14.5"	9.2"	11.9"	7.5"	9.8"	6.1"	8.2"					5.4'	7.5'	57"	
5	Stabilizers raised 4 pt. outriggers down	12.5"	12.5"	45.2"	45.2"	36.9"	36.9"	29.2"	29.2"	24.4"	24.4"	21.1"	18.7"	18.7"	16.8"	16.8"	15.4"	15.4"	14.1"	14.1"						12.4'	12.4'	56' 10"	
0	Stabilizers raised 4 pt. outriggers down	10.9"	10.9"	23.9"	23.9"	25.9"	34.5"	19.3"	25.4"	15.1"	19.7"	12.1"	15.8"	9.9"	13.0"	8.1"	10.8"	6.8"	9.1"	5.7'	7.8'					5.4'	7.5'	56' 2"	
-5	Stabilizers raised 4 pt. outriggers down	12.3"	12.3"	21.0"	21.0"	41.0"	41.0"	32.9"	32.9"	27.0"	27.0"	22.9"	19.9"	19.9"	17.6"	17.6"	15.7"	15.7"	14.0"	14.1"						13.0'	13.0'	56' 2"	
-10	Stabilizers raised 4 pt. outriggers down	14.4"	14.4"	21.3"	21.3"	22.4"	30.8"	16.7"	22.6"	13.2"	17.7"	10.7"	14.4"	8.8"	11.9"	7.4"	10.1"	6.3"	8.7"						13.7'	13.7'	55' 1"		
-15	Stabilizers raised 4 pt. outriggers down	14.4"	14.4"	21.3"	21.3"	35.5"	35.5"	33.5"	33.5"	27.5"	27.5"	23.3"	20.1"	20.1"	17.6"	17.6"	15.3"	15.3"	13.7'	13.7'						13.7'	13.7'	53' 6"	
-20	Stabilizers raised 4 pt. outriggers down	16.6"	16.6"	22.6"	22.6"	21.8"	30.1"	16.1"	22.0"	12.7"	17.2"	10.3"	14.0"	8.6"	11.7"	7.3"	9.9"	6.3"	8.6"						13.6'	13.6'	53' 6"		
-25	Stabilizers raised 4 pt. outriggers down	18.7"	18.7"	24.5"	24.5"	21.7"	30.0"	16.0"	21.8"	12.5"	17.0"	10.2"	13.8"	8.5"	11.6"	7.3"	9.9"	6.6"	9.1"						13.3'	13.3'	51' 4"		
	Stabilizers raised 4 pt. outriggers down	18.7"	18.7"	24.5"	24.5"	35.6"	35.6"	31.2"	31.2"	25.9"	25.9"	21.8"	18.5"	18.5"	15.3"	15.3"										12.8'	12.8'	48' 7"	
	Stabilizers raised 4 pt. outriggers down					22.1"	30.4"	16.1"	22.0"	12.6"	17.1"	10.3"	13.9"	8.6"	11.7"											7.7'	10.4'	44' 2"	
	Stabilizers raised 4 pt. outriggers down					33.1"	27.5"	27.5"	23.0"	23.0"	19.2"	15.7"	15.7"													12.5'	12.5'	44' 2"	

Height Can be slewed through 360° In longitudinal position of undercarriage Max. reach * Limited by hydr. capacity

The lift capacities on the stick end without attachment are stated in lb x 1,000 and are valid on a firm, level supporting surface with blocked oscillating axle. These capacities can be slewed through 360° with the undercarriage in the transverse position. Capacities in the longitudinal position of the undercarriage (+/- 15°) are specified over the steering axle with the stabilizers raised and over the rigid axle with the stabilizers down. Indicated loads comply with the ISO 10567 standard and do not exceed 75% of tipping or 87% of hydraulic capacity. The lift capacity values indicated are attained at the corresponding operating temperature. This operating temperature is ensured by continuous movement of the boom. Weights of fitted working tools (grabs, load hooks, etc.) and load accommodation equipment are to be deducted from the lift capacity values. The lift capacity of the unit is limited by its stability, the lifting capability of the hydraulic elements, or the maximum permissible lifting capacity of the load hook.

Attachment GA18 (Kinematic 2A)

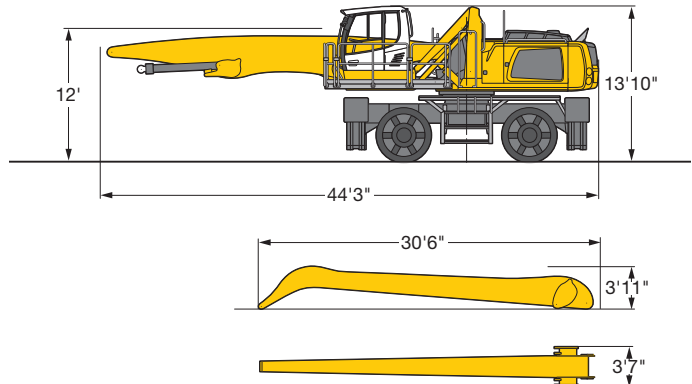


Operating Weight

The operating weight includes basic machine with 4 point outriggers, hydr. cab elevation, 4 solid tires, industrial-type straight mono boom 31'2" and industrial-type angled stick 28'10".

with grapple model GM 70C/1.44 yd³ semi-closed tines | 130,300 lb

Dimensions



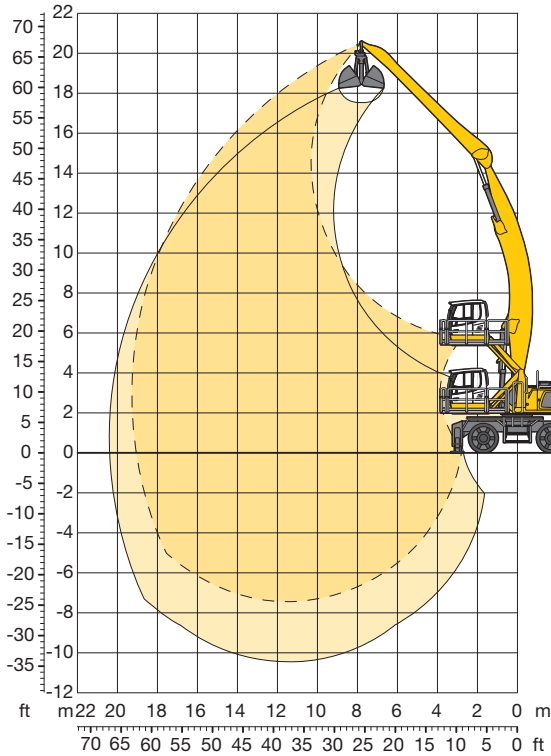
Industrial Stick 28'10"

ft	Undercarriage	10 ft		15 ft		20 ft		25 ft		30 ft		35 ft		40 ft		45 ft		50 ft		55 ft		60 ft		65 ft		ft in		
		Stabilizers raised	4 pt. outriggers down	Stabilizers raised	4 pt. outriggers down	Stabilizers raised	4 pt. outriggers down	Stabilizers raised	4 pt. outriggers down	Stabilizers raised	4 pt. outriggers down	Stabilizers raised	4 pt. outriggers down	Stabilizers raised	4 pt. outriggers down	Stabilizers raised	4 pt. outriggers down	Stabilizers raised	4 pt. outriggers down	Stabilizers raised	4 pt. outriggers down	Stabilizers raised	4 pt. outriggers down	Stabilizers raised	4 pt. outriggers down	Stabilizers raised	4 pt. outriggers down	
65	Stabilizers raised																									22.2"	22.2"	
65	4 pt. outriggers down																										22.2"	22.2"
60	Stabilizers raised							20.7"	20.7"																	16.5"	16.5"	
60	4 pt. outriggers down							20.7"	20.7"																	16.5"	16.5"	
55	Stabilizers raised									20.2"	20.2"	16.3"	16.3"													14.3"	14.3"	
55	4 pt. outriggers down									20.2"	20.2"	16.3"	16.3"													14.3"	14.3"	
50	Stabilizers raised									21.9"	21.9"	17.2"	19.6"	13.1"	15.7"											11.6"	13.0"	
50	4 pt. outriggers down									21.9"	21.9"	19.6"	19.6"	15.7"	15.7"											13.0"	13.0"	
45	Stabilizers raised									22.4"	22.4"	17.6"	20.5"	13.7"	16.9"	10.7"	13.4"									9.6"	12.2"	
45	4 pt. outriggers down									22.4"	22.4"	20.5"	20.5"	18.8"	18.8"	14.2"	14.2"									12.2"	12.2"	
40	Stabilizers raised									22.3"	22.3"	17.6"	20.3"	13.7"	16.9"	10.7"	13.4"									8.3"	10.7"	
40	4 pt. outriggers down									22.3"	22.3"	20.3"	20.3"	18.8"	18.8"	17.5"	17.5"									11.6"	11.6"	
35	Stabilizers raised									22.4"	22.4"	17.5"	20.4"	13.6"	16.8"			8.4"	10.8"							7.4"	9.6"	
35	4 pt. outriggers down									22.4"	22.4"	20.4"	20.4"	18.8"	18.8"	17.4"	17.4"	15.2"	15.2"							11.3"	11.3"	
30	Stabilizers raised									22.3"	23.0"	17.1"	20.8"	13.3"	16.5"	10.5"	13.3"	8.4"	10.7"							6.7"	8.8"	
30	4 pt. outriggers down									23.0"	23.0"	20.8"	20.8"	19.0"	19.0"	17.5"	17.5"	16.3"	16.3"							11.1"	11.1"	
25	Stabilizers raised							25.3"	25.3"	21.5"	23.8"	16.4"	20.3"	12.9"	16.1"	10.3"	13.0"	8.2"	10.6"	6.5"	8.6"					6.1"	8.2"	
25	4 pt. outriggers down							25.3"	25.3"	23.8"	23.8"	21.3"	21.3"	19.4"	19.4"	17.7"	17.7"	16.3"	16.3"	13.5"	13.5"					11.0"	11.0"	
20	Stabilizers raised							27.5"	28.6"	20.3"	24.9"	15.6"	19.5"	12.3"	15.5"	9.9"	12.6"	8.0"	10.3"	6.4"	8.5"					5.8"	7.7"	
20	4 pt. outriggers down							28.6"	28.6"	24.9"	24.9"	22.0"	22.0"	19.8"	19.8"	18.0"	18.0"	16.4"	16.4"	14.7"	14.9"					11.1"	11.1"	
15	Stabilizers raised			25.1"	25.1"	32.8"	32.8"	25.3"	30.6"	18.9"	23.7"	14.7"	18.5"	11.7"	14.8"	9.4"	12.1"	7.7"	10.0"	6.3"	8.3"					5.5"	7.5"	
15	4 pt. outriggers down			25.1"	25.1"	32.8"	32.8"	30.6"	30.6"	26.1"	26.1"	22.8"	22.8"	20.3"	20.3"	18.3"	18.3"	16.6"	16.6"	14.5"	14.9"					11.2"	11.2"	
10	Stabilizers raised	62.4"	62.4"	49.3"	54.1"	32.0"	40.5"	23.0"	29.2"	17.4"	22.1"	13.7"	17.4"	11.0"	14.1"	8.9"	11.6"	7.3"	9.7"	6.1"	8.1"					5.4"	7.3"	
10	4 pt. outriggers down	62.4"	62.4"	54.1"	54.1"	40.5"	40.5"	32.6"	32.6"	27.4"	27.4"	23.6"	23.6"	20.8"	20.8"	18.5"	18.5"	16.6"	16.6"	14.3"	14.7"					11.4"	11.4"	
5	Stabilizers raised	6.8"	6.8"	33.8"	33.8"	28.3"	37.0"	20.8"	26.8"	16.0"	20.6"	12.7"	16.4"	10.3"	13.4"	8.5"	11.1"	7.0"	9.4"	5.9"	7.9"					5.3"	7.2"	
5	4 pt. outriggers down	6.8"	6.8"	33.8"	33.8"	43.4"	43.4"	34.3"	34.3"	28.4"	28.4"	24.3"	24.3"	21.2"	21.2"	18.7"	18.7"	16.4"	16.5"	14.1"	14.2"					11.8"	11.8"	
0	Stabilizers raised	7.1"	7.1"	18.8"	18.8"	25.4"	33.9"	18.9"	24.9"	14.8"	19.3"	11.9"	15.5"	9.7"	12.8"	8.0"	10.7"	6.7"	9.1"	5.7"	7.8"					5.3"	7.3"	
0	4 pt. outriggers down	7.1"	7.1"	18.8"	18.8"	44.8"	44.8"	35.2"	35.2"	29.0"	29.0"	24.6"	24.6"	21.2"	21.2"	18.5"	18.5"	16.0"	16.0"	13.4"	13.4"					11.5"	11.5"	
-5	Stabilizers raised	9.4"	9.4"	17.5"	17.5"	23.5"	31.9"	17.6"	23.5"	13.8"	18.3"	11.2"	14.8"	9.2"	12.3"	7.7"	10.4"	6.5"	8.9"	5.6"	7.7"					5.5"	7.5"	
-5	4 pt. outriggers down	9.4"	9.4"	17.5"	17.5"	36.7"	36.7"	35.1"	35.1"	28.8"	28.8"	24.3"	24.3"	20.8"	20.8"	17.9"	17.9"	15.1"	15.1"	11.8"	11.8"					10.6"	10.6"	
-10	Stabilizers raised			18.9"	18.9"	22.6"	30.9"	16.8"	22.6"	13.2"	17.7"	10.7"	14.3"	8.9"	11.9"	7.5"	10.1"	6.4"	8.8"							6.0"	8.2"	
-10	4 pt. outriggers down			18.9"	18.9"	33.0"	33.0"	33.4"	33.4"	27.6"	27.6"	23.2"	23.2"	19.7"	19.7"	16.5"	16.5"	13.4"	13.4"							11.4"	11.4"	
-15	Stabilizers raised					22.2"	30.5"	16.4"	22.2"	12.8"	17.3"	10.4"	14.1"	8.7"	11.8"	7.4"	10.1"									7.1"	9.7"	
-15	4 pt. outriggers down					33.2"	33.2"	29.9"	29.9"	25.0"	25.0"	21.0"	21.0"	17.5"	17.5"	14.2"	14.2"									13.2"	13.2"	
-20	Stabilizers raised																											
-20	4 pt. outriggers down																											

Height Can be slewed through 360° In longitudinal position of undercarriage Max. reach * Limited by hydr. capacity

The lift capacities on the stick end without attachment are stated in lb x 1,000 and are valid on a firm, level supporting surface with blocked oscillating axle. These capacities can be slewed through 360° with the undercarriage in the transverse position. Capacities in the longitudinal position of the undercarriage (+/- 15°) are specified over the steering axle with the stabilizers raised and over the rigid axle with the stabilizers down. Indicated loads comply with the ISO 10567 standard and do not exceed 75 % of tipping or 87 % of hydraulic capacity. The lift capacity values indicated are attained at the corresponding operating temperature. This operating temperature is ensured by continuous movement of the boom. Weights of fitted working tools (grabs, load hooks, etc.) and load accommodation equipment are to be deducted from the lift capacity values. The lift capacity of the unit is limited by its stability, the lifting capability of the hydraulic elements, or the maximum permissible lifting capacity of the load hook.

Attachment AG 19 (Kinematic 2D)

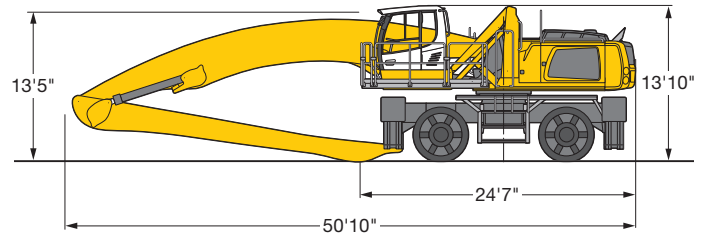


Operating Weight

The operating weight includes basic machine with 4 point outriggers, hydr. cab elevation, 4 solid tires, industrial-type angled mono boom 37'9" and industrial-type straight stick 28'10".

with clamshell model GM 20B/2.62 yd ³ shells for loose material	132,950 lb
---	------------

Dimensions



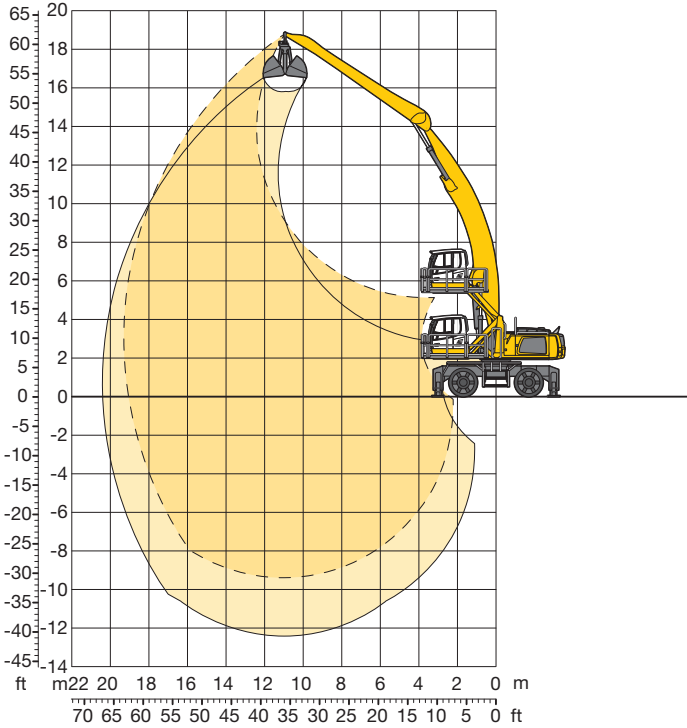
Industrial Stick 28'10"

ft	Undercarriage	10 ft	15 ft	20 ft	25 ft	30 ft	35 ft	40 ft	45 ft	50 ft	55 ft	60 ft	65 ft	ft in
65	Stabilizers raised 4 pt. outriggers down													15.1' 15.1'
60	Stabilizers raised 4 pt. outriggers down													15.1' 15.1'
55	Stabilizers raised 4 pt. outriggers down													13.4' 13.4'
50	Stabilizers raised 4 pt. outriggers down													11.0' 12.4'
45	Stabilizers raised 4 pt. outriggers down													8.9' 11.4'
40	Stabilizers raised 4 pt. outriggers down													11.8' 11.8'
35	Stabilizers raised 4 pt. outriggers down													11.4' 11.4'
30	Stabilizers raised 4 pt. outriggers down													6.3' 8.4'
25	Stabilizers raised 4 pt. outriggers down													11.2' 11.2'
20	Stabilizers raised 4 pt. outriggers down													5.5' 7.5'
15	Stabilizers raised 4 pt. outriggers down													11.1' 11.1'
10	Stabilizers raised 4 pt. outriggers down													4.8' 6.8'
5	Stabilizers raised 4 pt. outriggers down													11.1' 11.1'
0	Stabilizers raised 4 pt. outriggers down													4.4' 6.2'
-5	Stabilizers raised 4 pt. outriggers down													11.1' 11.1'
-10	Stabilizers raised 4 pt. outriggers down													4.4' 6.2'
-15	Stabilizers raised 4 pt. outriggers down													10.9' 10.9'
-20	Stabilizers raised 4 pt. outriggers down													10.7' 10.8'

Height Can be slewed through 360° In longitudinal position of undercarriage Max. reach * Limited by hydr. capacity

The lift capacities on the stick end without attachment are stated in lb x 1,000 and are valid on a firm, level supporting surface with blocked oscillating axle. These capacities can be slewed through 360° with the undercarriage in the transverse position. Capacities in the longitudinal position of the undercarriage (+/- 15°) are specified over the steering axle with the stabilizers raised and over the rigid axle with the stabilizers down. Indicated loads comply with the ISO 10567 standard and do not exceed 75% of tipping or 87% of hydraulic capacity. The lift capacity values indicated are attained at the corresponding operating temperature. This operating temperature is ensured by continuous movement of the boom. Weights of fitted working tools (grabs, load hooks, etc.) and load accommodation equipment are to be deducted from the lift capacity values. The lift capacity of the unit is limited by its stability, the lifting capability of the hydraulic elements, or the maximum permissible lifting capacity of the load hook.

Attachment AG19 (Kinematic 2C)

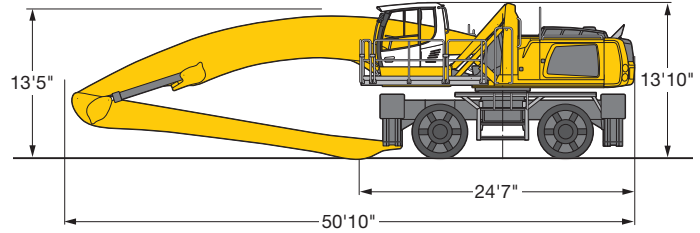


Operating Weight

The operating weight includes basic machine with 4 point outriggers, hydr. cab elevation, 4 solid tires, industrial-type angled mono boom 37'9" and industrial-type straight stick 28'10".

with clamshell model GM 20B/2.62 yd ³ shells for loose material	132,950 lb
---	------------

Dimensions



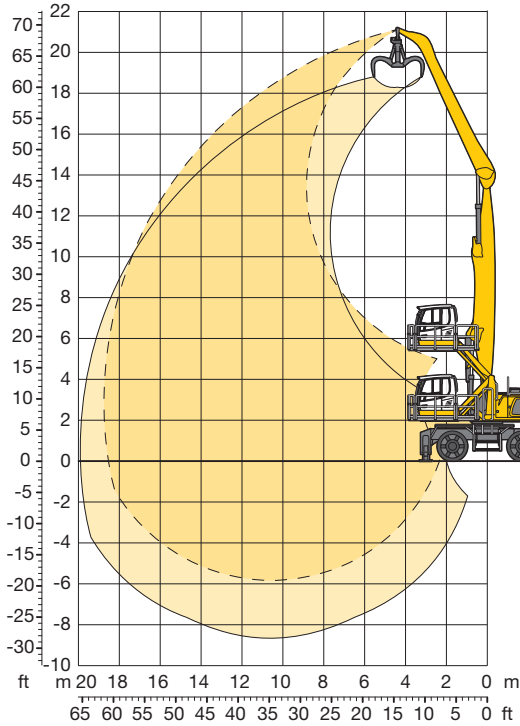
Industrial Stick 28'10"

m	Undercarriage	10 ft		15 ft		20 ft		25 ft		30 ft		35 ft		40 ft		45 ft		50 ft		55 ft		60 ft		65 ft		ft in			
		Can be slewed through 360°	Can be slewed through 360°	Can be slewed through 360°	Can be slewed through 360°	Can be slewed through 360°	Can be slewed through 360°	Can be slewed through 360°	Can be slewed through 360°	Can be slewed through 360°	Can be slewed through 360°	Can be slewed through 360°	Can be slewed through 360°	Can be slewed through 360°	Can be slewed through 360°	Can be slewed through 360°	Can be slewed through 360°	Can be slewed through 360°	Can be slewed through 360°	Can be slewed through 360°	Can be slewed through 360°	Can be slewed through 360°	Can be slewed through 360°	Can be slewed through 360°	Can be slewed through 360°	Can be slewed through 360°	Can be slewed through 360°		
60	Stabilizers raised 4 pt. outriggers down																										13.4'	13.4'	
55	Stabilizers raised 4 pt. outriggers down													13.9'	13.9'													13.4'	13.4'
50	Stabilizers raised 4 pt. outriggers down													13.9'	13.9'													11.0'	12.4'
45	Stabilizers raised 4 pt. outriggers down																											12.4'	12.4'
40	Stabilizers raised 4 pt. outriggers down																											8.9'	11.4'
35	Stabilizers raised 4 pt. outriggers down																											11.8'	11.8'
30	Stabilizers raised 4 pt. outriggers down																											7.4'	9.7'
25	Stabilizers raised 4 pt. outriggers down																											11.4'	11.4'
20	Stabilizers raised 4 pt. outriggers down																											6.3'	8.4'
15	Stabilizers raised 4 pt. outriggers down																											11.2'	11.2'
10	Stabilizers raised 4 pt. outriggers down																											5.5'	7.5'
5	Stabilizers raised 4 pt. outriggers down																											10.9'	10.9'
0	Stabilizers raised 4 pt. outriggers down																											4.9'	6.8'
-5	Stabilizers raised 4 pt. outriggers down																											10.7'	10.7'
-10	Stabilizers raised 4 pt. outriggers down																											4.4'	6.2'
-15	Stabilizers raised 4 pt. outriggers down																											4.4'	10.6'
-20	Stabilizers raised 4 pt. outriggers down																											10.6'	10.6'
-25	Stabilizers raised 4 pt. outriggers down																											3.3'	5.1'
-30	Stabilizers raised 4 pt. outriggers down																											10.3'	10.3'

Height Can be slewed through 360° In longitudinal position of undercarriage Max. reach * Limited by hydr. capacity

The lift capacities on the stick end without attachment are stated in lb x 1,000 and are valid on a firm, level supporting surface with blocked oscillating axle. These capacities can be slewed through 360° with the undercarriage in the transverse position. Capacities in the longitudinal position of the undercarriage (+/- 15°) are specified over the steering axle with the stabilizers raised and over the rigid axle with the stabilizers down. Indicated loads comply with the ISO 10567 standard and do not exceed 75 % of tipping or 87 % of hydraulic capacity. The lift capacity values indicated are attained at the corresponding operating temperature. This operating temperature is ensured by continuous movement of the boom. Weights of fitted working tools (grabs, load hooks, etc.) and load accommodation equipment are to be deducted from the lift capacity values. The lift capacity of the unit is limited by its stability, the lifting capability of the hydraulic elements, or the maximum permissible lifting capacity of the load hook.

Attachment GA19 (Kinematic 2A)

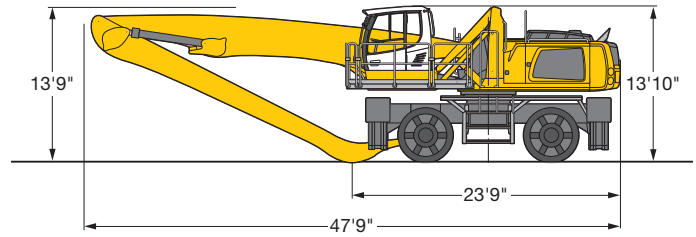


Operating Weight

The operating weight includes basic machine with 4 point outriggers, hydr. cab elevation, 4 solid tires, industrial-type straight mono boom 34'5" and industrial-type angled stick 28'10".

with grapple model GM 70C/1.44 yd³ semi-closed tines | 131,200 lb

Dimensions



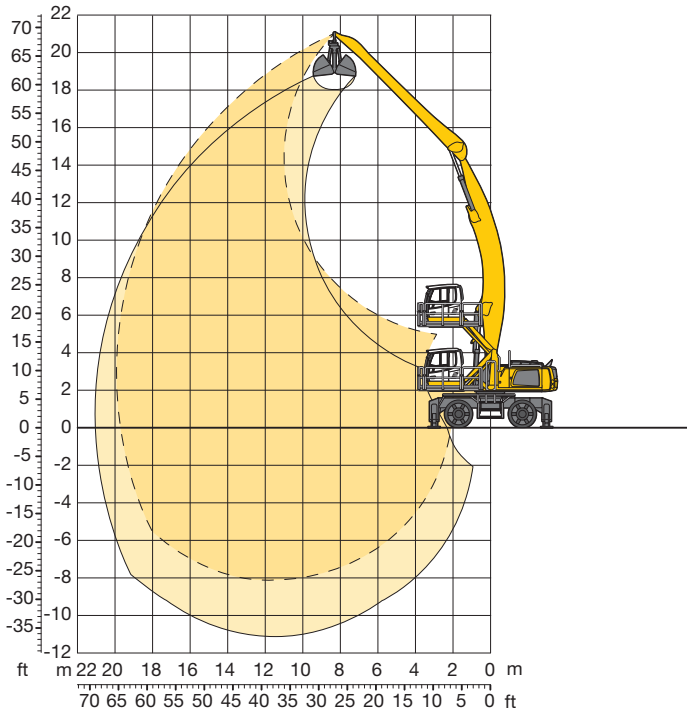
Industrial Stick 28'10"

ft	Undercarriage	10 ft		15 ft		20 ft		25 ft		30 ft		35 ft		40 ft		45 ft		50 ft		55 ft		60 ft		65 ft		ft	in	
		Stabilizers raised	4 pt. outriggers down	Stabilizers raised	4 pt. outriggers down	Stabilizers raised	4 pt. outriggers down	Stabilizers raised	4 pt. outriggers down	Stabilizers raised	4 pt. outriggers down	Stabilizers raised	4 pt. outriggers down	Stabilizers raised	4 pt. outriggers down	Stabilizers raised	4 pt. outriggers down	Stabilizers raised	4 pt. outriggers down	Stabilizers raised	4 pt. outriggers down	Stabilizers raised	4 pt. outriggers down	Stabilizers raised	4 pt. outriggers down			
65								19.5*	19.5*																	17.9*	17.9*	26' 8"
60								19.5*	19.5*	19.6*	19.6*	15.3*	15.3*													17.9*	17.9*	35' 4"
55								22.4*	22.4*	19.6*	19.6*	15.3*	15.3*													15.0*	15.0*	41' 6"
50								22.4*	22.4*	21.6*	21.6*	17.0	19.2*	12.8	15.3*											13.4*	13.4*	46' 5"
45								22.4*	22.4*	22.4*	22.4*	17.5	20.1*	10.3	13.0											9.4	12.0	50' 5"
40								22.4*	22.4*	22.2*	22.2*	17.7	19.9*	13.7	16.9					8.1	10.5					11.9*	11.9*	53' 6"
35								22.3*	22.3*	22.6*	22.6*	17.2	20.2*	13.4	16.6					6.4	8.5					11.5*	11.5*	56' 1"
30								21.9	23.1*	22.6*	22.6*	20.2*	20.2*	13.0	16.2					13.0*	13.0*					11.2*	11.2*	58' 1"
25								23.1*	23.1*	21.9	23.1*	16.7	20.5*	12.4	15.6					8.1	10.5					11.1*	11.1*	59' 7"
20								26.9*	26.9*	23.1*	23.1*	15.9	19.7	12.4	15.6					9.9	12.6					11.0*	11.0*	60' 8"
15								28.3*	28.3*	20.7	23.9*	14.9	18.7	11.7	14.9					9.4	12.1					11.1*	11.1*	61' 4"
10								29.2*	29.2*	23.6	29.8*	17.7	22.4	13.8	17.6					8.1	10.5					11.2*	11.2*	61' 6"
5								30.8*	30.8*	24.9	31.3*	16.1	20.7	12.7	16.4					7.2	9.5					11.2*	11.2*	61' 4"
0								32.4*	32.4*	26.9*	33.3*	14.5	19.1	11.6	15.3					6.4	8.7					11.4*	11.4*	61' 6"
-5								33.5*	33.5*	27.6*	34.0*	13.2	17.8	10.7	14.4					5.7	7.9					10.7*	10.7*	61' 4"
-10								34.6*	34.6*	28.2*	34.6*	12.3	16.8	10.0	13.6					5.1	7.2					10.0*	10.0*	60' 8"
-15								35.8*	35.8*	27.7*	34.2*	11.7	16.2	9.5	13.1					4.4	6.6					9.1*	9.1*	59' 7"
-20								37.2*	37.2*	27.2*	33.7*	11.4	15.8	9.2	12.9					3.8	6.0					8.8*	8.8*	55' 10"
-25								38.2*	38.2*	26.9*	33.4*	11.4	15.8	9.2	12.9					3.3*	5.5					8.5*	8.5*	49' 7"

↑ Height 🚧 Can be slewed through 360° 🚧 In longitudinal position of undercarriage 🚧 Max. reach * Limited by hydr. capacity

The lift capacities on the stick end without attachment are stated in lb x 1,000 and are valid on a firm, level supporting surface with blocked oscillating axle. These capacities can be slewed through 360° with the undercarriage in the transverse position. Capacities in the longitudinal position of the undercarriage (+/- 15°) are specified over the steering axle with the stabilizers raised and over the rigid axle with the stabilizers down. Indicated loads comply with the ISO 10567 standard and do not exceed 75% of tipping or 87% of hydraulic capacity. The lift capacity values indicated are attained at the corresponding operating temperature. This operating temperature is ensured by continuous movement of the boom. Weights of fitted working tools (grabs, load hooks, etc.) and load accommodation equipment are to be deducted from the lift capacity values. The lift capacity of the unit is limited by its stability, the lifting capability of the hydraulic elements, or the maximum permissible lifting capacity of the load hook.

Attachment AG20 (Kinematic 2D)

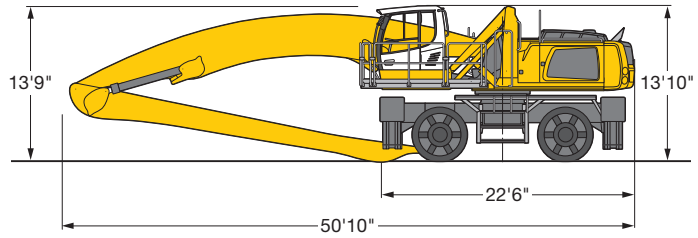


Operating Weight

The operating weight includes basic machine with 4 point outriggers, hydr. cab elevation, 4 solid tires, industrial-type angled mono boom 37'9" and industrial-type straight stick 31'2".

with clamshell model GM 20B/2.62 yd ³ shells for loose material	133,500 lb
--	------------

Dimensions



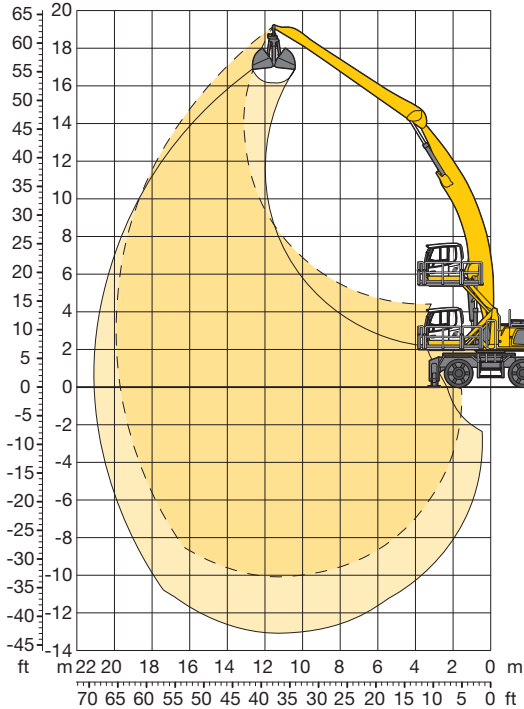
Industrial Stick 31'2"

ft	Undercarriage	10 ft	15 ft	20 ft	25 ft	30 ft	35 ft	40 ft	45 ft	50 ft	55 ft	60 ft	65 ft	ft in					
65	Stabilizers raised 4 pt. outriggers down													12.9' 12.9'	12.9' 12.9'	34' 8"			
60	Stabilizers raised 4 pt. outriggers down						16.1'	16.1'	13.1'	13.1'				11.7' 11.7'	11.7' 11.7'	41' 8"			
55	Stabilizers raised 4 pt. outriggers down								14.4'	14.8'				10.9' 10.9'	12.8' 12.8'	47' 1"			
50	Stabilizers raised 4 pt. outriggers down								14.6'	14.6'	11.3'	13.4'		10.9' 10.9'	11.3'	51' 6"			
45	Stabilizers raised 4 pt. outriggers down								14.6'	14.6'	11.4'	13.4'	8.6'	11.0'	10.4' 10.4'	8.8'	55'		
40	Stabilizers raised 4 pt. outriggers down								14.6'	14.6'	13.4'	13.4'	12.4'	12.4'	10.1'	10.1'	10.1' 10.1'	8.8'	57'11"
35	Stabilizers raised 4 pt. outriggers down								14.6'	14.6'	13.4'	13.4'	12.4'	12.4'	11.5'	11.5'	9.9' 9.9'	8.7'	60' 4"
30	Stabilizers raised 4 pt. outriggers down								16.5'	16.5'	14.1'	14.8'	8.6'	11.0'	6.6'	8.8'	9.8' 9.8'	6.8'	62' 2"
25	Stabilizers raised 4 pt. outriggers down								16.5'	16.5'	14.1'	14.8'	8.6'	11.0'	6.6'	8.8'	9.9' 9.9'	6.8'	63' 7"
20	Stabilizers raised 4 pt. outriggers down								19.9'	19.9'	17.4'	17.4'	15.5'	15.5'	14.0'	14.0'	10.2' 10.2'	6.9'	64' 7"
15	Stabilizers raised 4 pt. outriggers down								24.6'	24.6'	19.8'	20.8'	15.1'	18.1'	10.6'	13.5'	10.9' 10.9'	6.4'	65' 2"
10	Stabilizers raised 4 pt. outriggers down								24.6'	24.6'	19.8'	20.8'	15.1'	18.1'	10.6'	13.5'	10.0' 10.0'	6.4'	65' 5"
5	Stabilizers raised 4 pt. outriggers down								25.9'	25.9'	20.4'	26.6'	15.6'	20.3'	12.2'	16.0'	10.0' 10.0'	6.3'	65' 5"
0	Stabilizers raised 4 pt. outriggers down								25.9'	25.9'	20.4'	26.6'	15.6'	20.3'	12.2'	16.0'	10.0' 10.0'	6.3'	65' 5"
-5	Stabilizers raised 4 pt. outriggers down								11.8'	11.8'	32.8'	32.8'	28.9'	28.9'	23.7'	23.7'	9.7' 9.7'	8.1'	65' 2"
-10	Stabilizers raised 4 pt. outriggers down								4.8'	4.8'	10.3'	10.3'	21.3'	21.3'	29.7'	29.7'	9.7' 9.7'	8.1'	64' 8"
-15	Stabilizers raised 4 pt. outriggers down								4.8'	4.8'	10.3'	10.3'	21.3'	21.3'	29.7'	29.7'	9.7' 9.7'	8.1'	64' 8"
-20	Stabilizers raised 4 pt. outriggers down								6.9'	6.9'	11.0'	11.0'	17.5'	18.8'	28.9'	29.9'	9.9' 9.9'	8.1'	63' 8"
-25	Stabilizers raised 4 pt. outriggers down								6.9'	6.9'	11.0'	11.0'	17.5'	18.8'	28.9'	29.9'	9.9' 9.9'	8.1'	63' 8"

Height Can be slewed through 360° In longitudinal position of undercarriage Max. reach * Limited by hydr. capacity

The lift capacities on the stick end without attachment are stated in lb x 1,000 and are valid on a firm, level supporting surface with blocked oscillating axle. These capacities can be slewed through 360° with the undercarriage in the transverse position. Capacities in the longitudinal position of the undercarriage (+/- 15°) are specified over the steering axle with the stabilizers raised and over the rigid axle with the stabilizers down. Indicated loads comply with the ISO 10567 standard and do not exceed 75 % of tipping or 87 % of hydraulic capacity. The lift capacity values indicated are attained at the corresponding operating temperature. This operating temperature is ensured by continuous movement of the boom. Weights of fitted working tools (grabs, load hooks, etc.) and load accommodation equipment are to be deducted from the lift capacity values. The lift capacity of the unit is limited by its stability, the lifting capability of the hydraulic elements, or the maximum permissible lifting capacity of the load hook.

Attachment AG20 (Kinematic 2C)

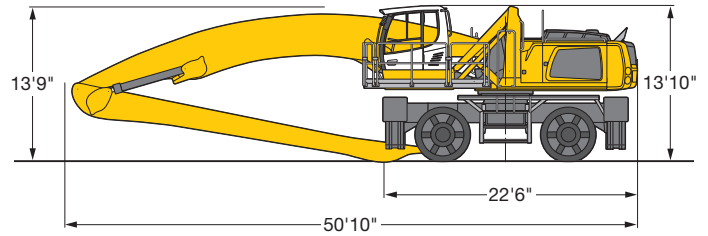


Operating Weight

The operating weight includes basic machine with 4 point outriggers, hydr. cab elevation, 4 solid tires, industrial-type angled mono boom 37'9" and industrial-type straight stick 31'2".

with clamshell model GM 20B/2.62 yd ³ shells for loose material	133,500 lb
---	------------

Dimensions



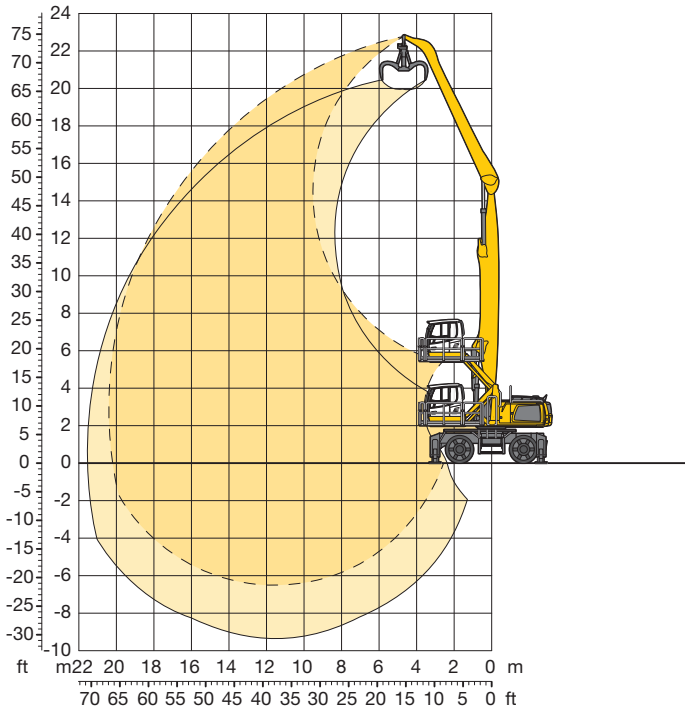
Industrial Stick 31'2"

ft	Undercarriage	10 ft	15 ft	20 ft	25 ft	30 ft	35 ft	40 ft	45 ft	50 ft	55 ft	60 ft	65 ft	ft in
60	Stabilizers raised 4 pt. outriggers down													11,7" 11,7"
55	Stabilizers raised 4 pt. outriggers down													11,7" 11,7"
50	Stabilizers raised 4 pt. outriggers down								10,9 12,2"					9,7 10,9"
45	Stabilizers raised 4 pt. outriggers down								11,3 12,0"	8,6 11,0				10,9 10,9"
40	Stabilizers raised 4 pt. outriggers down								11,4 11,9"	8,8 11,2"	6,6 8,7			10,4 10,4"
35	Stabilizers raised 4 pt. outriggers down								11,9 11,9"	11,2 11,2"	10,1 10,1"			6,6 8,7
30	Stabilizers raised 4 pt. outriggers down								11,3 12,0"	8,8 11,2"	6,7 8,9			5,6 7,6
25	Stabilizers raised 4 pt. outriggers down								12,0 12,0"	11,2 11,2"	10,6 10,6"			9,9 9,9"
20	Stabilizers raised 4 pt. outriggers down								11,0 12,1"	8,6 11,0	6,6 8,8	5,0 6,9		4,9 6,8
15	Stabilizers raised 4 pt. outriggers down								12,1 12,1"	11,3 11,3"	10,6 10,6"	10,1 10,1"		9,8 9,8"
10	Stabilizers raised 4 pt. outriggers down								13,5 13,5"	10,6 12,4"	8,3 10,7	6,5 8,6	4,9 6,8	4,3 6,1
5	Stabilizers raised 4 pt. outriggers down								13,5 13,5"	12,4 12,4"	11,4 11,4"	10,7 10,7"	10,1 10,1"	9,8 9,8"
0	Stabilizers raised 4 pt. outriggers down								12,8 14,0"	10,0 12,7"	7,9 10,3	6,2 8,3	4,7 6,7	3,8 5,6
-5	Stabilizers raised 4 pt. outriggers down								14,0 14,0"	12,7 12,7"	11,7 11,7"	10,8 10,8"	10,2 10,2"	9,8 9,8"
-10	Stabilizers raised 4 pt. outriggers down								11,8 14,5"	9,3 12,1	7,4 9,8	5,8 7,9	4,5 6,4	3,5 5,2
-15	Stabilizers raised 4 pt. outriggers down								11,8 14,5"	9,3 12,1	7,4 9,8	5,8 7,9	4,5 6,4	3,5 5,2
-20	Stabilizers raised 4 pt. outriggers down								11,8 14,5"	9,3 12,1	7,4 9,8	5,8 7,9	4,5 6,4	3,5 5,2
-25	Stabilizers raised 4 pt. outriggers down								13,5 13,5"	10,6 12,4"	8,3 10,7	6,5 8,6	4,9 6,8	4,3 6,1
-30	Stabilizers raised 4 pt. outriggers down								13,5 13,5"	12,4 12,4"	11,4 11,4"	10,7 10,7"	10,1 10,1"	9,8 9,8"

Height
 Can be slewed through 360°
 In longitudinal position of undercarriage
 Max. reach
 * Limited by hydr. capacity

The lift capacities on the stick end without attachment are stated in lb x 1,000 and are valid on a firm, level supporting surface with blocked oscillating axle. These capacities can be slewed through 360° with the undercarriage in the transverse position. Capacities in the longitudinal position of the undercarriage (+/- 15°) are specified over the steering axle with the stabilizers raised and over the rigid axle with the stabilizers down. Indicated loads comply with the ISO 10567 standard and do not exceed 75% of tipping or 87% of hydraulic capacity. The lift capacity values indicated are attained at the corresponding operating temperature. This operating temperature is ensured by continuous movement of the boom. Weights of fitted working tools (grabs, load hooks, etc.) and load accommodation equipment are to be deducted from the lift capacity values. The lift capacity of the unit is limited by its stability, the lifting capability of the hydraulic elements, or the maximum permissible lifting capacity of the load hook.

Attachment GA20 (Kinematic 2A)

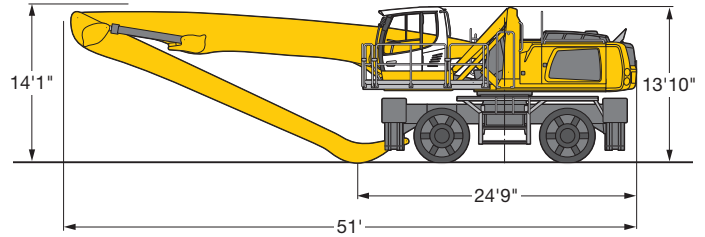


Operating Weight

The operating weight includes basic machine with 4 point outriggers, hydr. cab elevation, 4 solid tires, industrial-type straight mono boom 37'9" and industrial-type angled stick 31'2".

with grapple model GM 70C/1.44 yd³ semi-closed tines | 132,700 lb

Dimensions



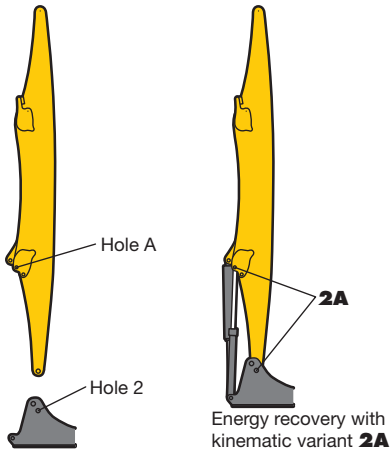
Industrial Stick 31'2"

ft	Undercarriage	10 ft		15 ft		20 ft		25 ft		30 ft		35 ft		40 ft		45 ft		50 ft		55 ft		60 ft		65 ft		ft in								
		Stabilizers raised	4 pt. outriggers down	Stabilizers raised	4 pt. outriggers down	Stabilizers raised	4 pt. outriggers down	Stabilizers raised	4 pt. outriggers down	Stabilizers raised	4 pt. outriggers down	Stabilizers raised	4 pt. outriggers down	Stabilizers raised	4 pt. outriggers down	Stabilizers raised	4 pt. outriggers down	Stabilizers raised	4 pt. outriggers down	Stabilizers raised	4 pt. outriggers down	Stabilizers raised	4 pt. outriggers down	Stabilizers raised	4 pt. outriggers down	Stabilizers raised	4 pt. outriggers down							
70								19.2*	19.2*																	16.3*	16.3*	28*10"						
65								19.0*	19.0*	16.0*	16.0*															13.7*	13.7*	37* 7"						
60								20.3*	20.3*	17.5*	18.5*	13.3	15.9*													10.5*	12.3*	44* 1"						
55								20.3*	20.3*	18.5*	18.5*	15.9*	15.9*	10.6	13.4											8.3	10.7*	49* 2"						
50										18.2*	19.0*	14.1	17.1*	18.2	19.0*	14.1	17.1*	10.9	13.7	8.4	10.8					6.9	9.1	53* 5"						
45										19.0*	19.0*	17.1*	17.1*	18.2	19.0*	14.1	17.1*	11.0	13.8	8.6	11.0	6.5	8.7			10.8*	10.8*	56*11"						
40										19.0*	19.0*	17.1*	17.1*	17.9	19.1*	13.9	17.1*	10.9	13.7	8.5	10.9	6.6	8.7			10.4*	10.4*	51* 7.0						
35										19.1*	19.1*	17.1*	17.1*	15.6*	15.6*	14.3*	14.3*	13.2*	13.2*	14.3*	14.3*	13.2*	13.2*	5.0	6.9	10.1*	10.1*	59* 8"						
30								21.9*	21.9*	17.4	19.3*	13.5	16.8	10.6	13.4	8.4	10.8	6.6	8.7							4.5	6.3	62"						
25								22.0*	22.4*	19.3*	19.3*	17.3*	17.3*	15.7*	15.7*	14.3*	14.3*	13.1*	13.1*	12.1*	12.1*	12.1*	12.1*	10.2*	10.2*	10.0*	10.0*	62"						
20								22.4*	22.4*	19.7*	19.7*	17.6*	17.6*	15.8*	15.8*	14.4*	14.4*	13.2*	13.2*	12.1*	12.1*	12.1*	12.1*	10.4	10.7*	9.9*	9.9*	63*10"						
15								24.5*	24.5*	20.6	23.2*	15.7	19.6	12.3	15.5	9.7	12.4	7.7	10.1	6.1	8.2	4.8	3.7	3.7	5.4	3.7	5.4	65* 2"						
10								19.4*	19.4*	26.3*	26.3*	28.5*	28.5*	24.0*	24.0*	20.7*	20.7*	18.3*	18.3*	14.7*	14.7*	13.3*	13.3*	12.0*	12.0*	10.4	10.7*	9.9*	9.9*	66* 2"				
5								49.8	50.3*	32.0	37.5*	22.8	29.0	17.1	21.9	13.3	17.1	10.5	13.7	8.4	11.1	6.8	9.1	5.5	7.6	4.4	6.3	3.5	5.2	3.2	4.9	66* 8"		
0								50.3*	50.3*	37.5*	37.5*	29.9*	29.9*	24.9*	24.9*	21.3*	21.3*	18.6*	18.6*	16.5*	16.5*	14.8*	14.8*	13.3*	13.3*	11.9	12.0*	10.2	10.5*	9.7	9.9*	67"		
-5								16.0*	16.0*	39.6*	39.6*	31.1*	31.1*	25.7*	25.7*	21.8*	21.8*	18.9*	18.9*	16.7*	16.7*	14.8*	14.8*	13.3*	13.3*	11.6	11.8*	10.1	10.2*	9.4*	9.4*	67"		
-10								7.2*	7.2*	22.9	25.4*	17.2	23.2	13.5	18.1	10.7	14.5	8.7	11.8	7.1	9.8	5.8	8.2	4.8	6.9	3.9	5.8	3.2	4.9	3.0	4.6	66*10"		
-15								1.9*	1.9*	6.9*	6.9*	17.0*	17.0*	32.0*	32.0*	26.3*	26.3*	22.1*	22.1*	19.0*	19.0*	16.6*	16.6*	14.6*	14.6*	12.8	12.8*	11.0*	11.0*	8.9*	8.9*	8.8*	8.8*	66* 2"
-20								8.3*	8.3*	15.8*	15.8*	13.1	18.8	10.3	14.7	8.3	12.0	6.9	9.9	5.7	8.4	4.8	7.1	4.1	6.1	3.5	5.4	3.3	5.1	3.3	5.1	65* 4"		
								10.3*	10.3*	16.5*	16.5*	13.1	18.8	10.3	14.7	8.3	12.0	6.9	9.9	5.7	8.4	4.8	7.1	4.1	6.1	3.5	5.4	3.3	5.1	3.3	5.1	62* 1"		
								17.4	18.0*	25.7*	25.7*	22.0*	22.0*	18.9*	18.9*	16.2*	16.2*	13.9*	13.9*	11.7*	11.7*	9.5*	9.5*			7.7*	7.7*	5.1	7.5	3.8	5.8	57"		
								18.0*	18.0*	25.7*	25.7*	22.0*	22.0*	18.9*	18.9*	16.2*	16.2*	13.9*	13.9*	11.7*	11.7*	9.5*	9.5*			5.1	7.5	3.8	5.8	57"				
								18.6*	18.6*	16.2*	16.2*	13.9*	13.9*	11.7*	11.7*	9.5*	9.5*									5.1	7.5	3.8	5.8	57"				

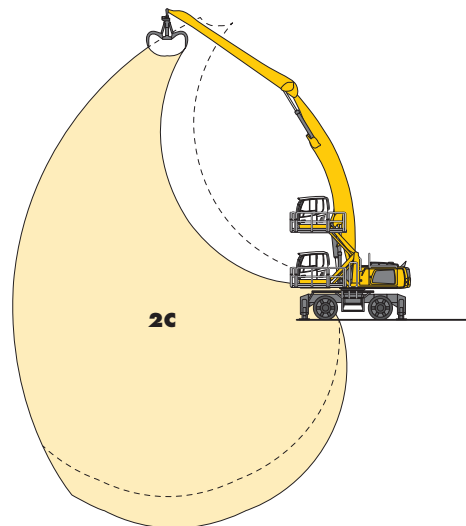
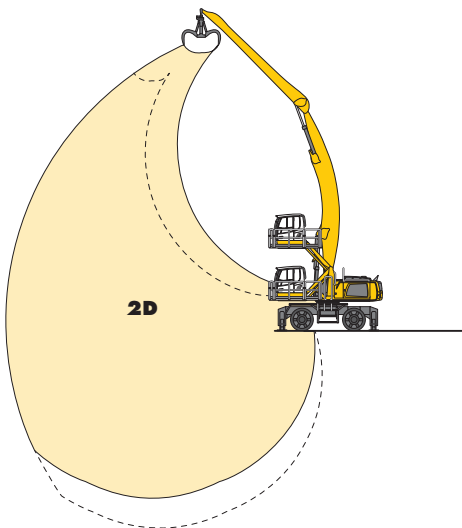
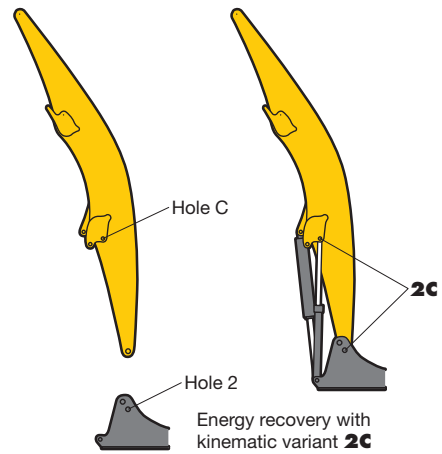
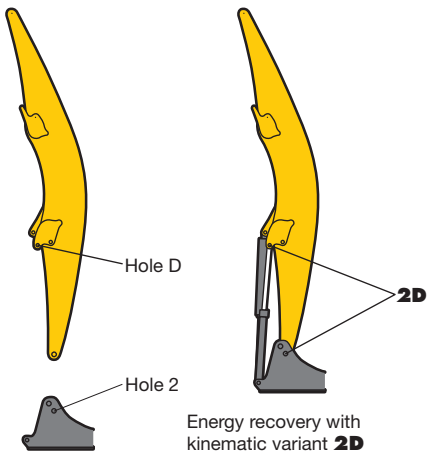
Height Can be slewed through 360° In longitudinal position of undercarriage Max. reach * Limited by hydr. capacity

The lift capacities on the stick end without attachment are stated in lb x 1,000 and are valid on a firm, level supporting surface with blocked oscillating axle. These capacities can be slewed through 360° with the undercarriage in the transverse position. Capacities in the longitudinal position of the undercarriage (+/- 15°) are specified over the steering axle with the stabilizers raised and over the rigid axle with the stabilizers down. Indicated loads comply with the ISO 10567 standard and do not exceed 75 % of tipping or 87 % of hydraulic capacity. The lift capacity values indicated are attained at the corresponding operating temperature. This operating temperature is ensured by continuous movement of the boom. Weights of fitted working tools (grabs, load hooks, etc.) and load accommodation equipment are to be deducted from the lift capacity values. The lift capacity of the unit is limited by its stability, the lifting capability of the hydraulic elements, or the maximum permissible lifting capacity of the load hook.

Kinematic Variant 2A

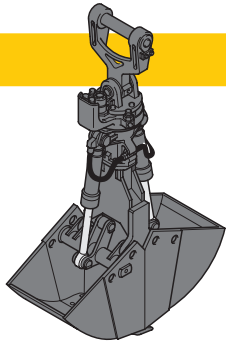


Kinematic Variant 2D/2C



Altered range curve with additional reach depth, e.g. for unloading from ships

Variety of Tools



Shells for Loose Material

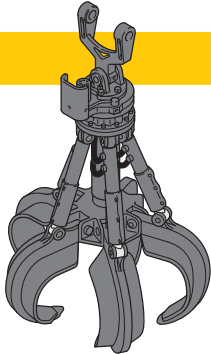
Shells for loose material with cutting edge (without teeth)

Clamshell Model GM 20B

Cutting width of shells	ft in	3'3"	3'11"	5'3"	6'7"
Capacity	yd ³	1.70	1.96	2.62	3.27
For loose material, specific weight up to lb/yd ³		2,530	2,530	2,530	2,530
Weight	lb	2,990	3,120	3,415	4,012

Clamshell Model GMZ 80

Cutting width of shells	ft in	4'3"	4'11"	5'7"
Capacity	yd ³	3.92	4.58	5.23
For loose material, specific weight up to lb/yd ³		2,530	2,275	2,025
Weight	lb	5,467	5,710	5,975



Multiple Tine Grapples

open tines

semi-closed tines

closed tines

Grapple Model GM 69 (4 tines)

Capacity	yd ³	1.05	1.44	1.05	1.44	1.05	1.44
Weight	lb	2,965	3,075	3,385	3,615	4,190	4,540

Grapple Model GM 70C (5 tines)

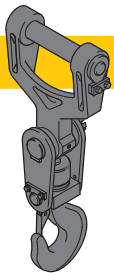
Capacity	yd ³	1.05	1.44	1.05	1.44	1.05	1.44
Weight	lb	3,275	3,505	3,760	4,100	4,300	4,400



Wood Grapple

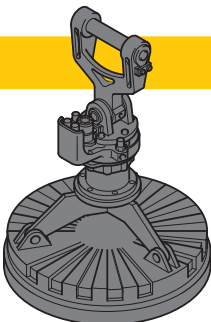
Grapple Model GM 20B

Claw width	ft in	2'8"	2'8"	2'8"	2'8"
Size	in ²	2,325	2,635	2,945	3,255
Height of grapple, closed	ft in	9'10"	10'	10'4"	10'10"
Weight	lb	3,803	3,913	4,211	4,299



Crane Hook with Suspension

Max. load	lb	27,558
Height with suspension	ft in	3'1"
Weight	lb	210



Magnet Devices/Lifting Magnets

Generator	kW	13/20/25
-----------	----	----------

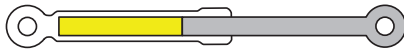
Electromagnets with Suspension

Power	kW	12.8/17.8
Diameter of magnet	ft in	5'7"
Weight	lb	7,231



ERC System - More performance, less consumption

Lowering the equipment stores energy in the ERC system. This stored energy is then made available to the machine to provide additional engine power. When the equipment is raised the stored energy is released and is reflected in powerful, homogeneous operating cycles. The result is a clear saving on fuel – and, at the same time, even greater performance.



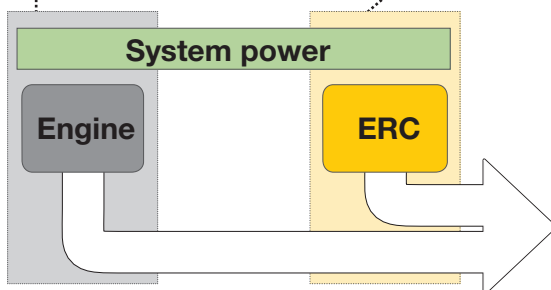
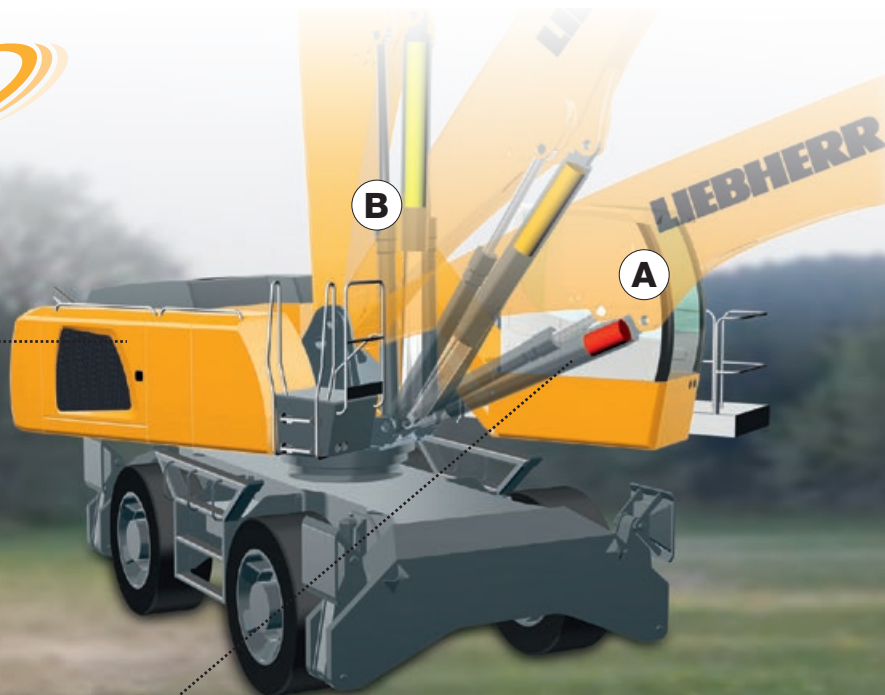
1. Attachment fitting raised / Energy released **(B)**



2. Lower attachment fitting / Store energy
4. Raise attachment fitting / Release energy



3. Attachment fitting lowered / Energy stored **(A)**

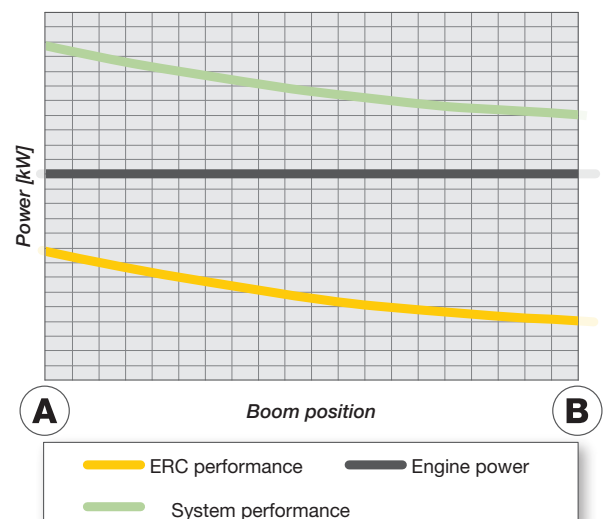


- increased overall power
- fuel savings of up to 30 %
- lower running costs
- reduced pollutant and noise emissions

System power

The energy recovery cylinder is a storage system which is independent of the diesel engine. The system performance of material handling machines fitted with the ERC system is composed of the installed engine power and the energy recovery cylinder. When the equipment is raised, energy from the ERC system is supplied in addition to the power from the diesel engine.

ERC-System



Equipment



Undercarriage

Support rocker, variants	+
Individual control outriggers	+
Shuttle axle lock, automatic	•
Outrigger monitoring system	+
Tyres, variants	+
Protection for piston rods, outriggers	+
Tool equipment, extended	•
Two lockable storage boxes	•



Uppercarriage

Refuelling system with filling pump	+
Railing on uppercarriage	+
Generator	+
Main battery switch for electrical system	•
Protection for headlights	+



Hydraulics

Electronic pump regulation	•
Liebherr hydraulic oil from -4 °F to +104 °F	•
Liebherr hydraulic oil, biologically degradable	+
Magnetic rod in hydraulic tank	•
Bypass filter	+
Preheating hydraulic oil	+



Engine

Fuel anti-theft device	+
Liebherr particle filter	•
Reversible fan drive, fully automatic	•
Air pre-filter with dust discharge	+
Protective grid in front of cooler intake	•
Preheating fuel	+
Preheating coolant	+
Preheating engine oil	+



Operator's Cab

Cab lights rear, halogen	+
Cab lights rear, LED 1300 lumen	+
Cab lights front, halogen	•
Cab lights front, LED 1300 lumen	•
Operator's seat Standard	•
Operator's seat Comfort	+
Operator's seat Premium	+
Driving alarm (acoustic signal is emitted during travel, can be switched ON/OFF)	+
Fire extinguisher	+
Joystick steering	+
Cab elevation, hydraulic (LHC)	+
Cab elevation, rigid (LFC)	+
Automatic air conditioning	•
Electric cooler	+

LIDAT Plus (extended Liebherr data transfer system)*	•
Bullet proof glass	+
Positioning swing brake	+
Proportional control	+
Radio Comfort (control via display)	+
Preparation for radio installation	•
Back-up alarm (acoustic signal is emitted traveling backward, can not be switched off)	+
Warning beacon on cab	+
Windscreen wiper, roof	+
Top guard	+
Front guard	+
Sun visor	+
Auxiliary heating, adjustable (week time switch)	+
Flashing light (xenon)	+
Electronic immobilizer	+



Attachment

Boom lights, 2 pieces, halogen	•
Boom lights, 2 pieces, LED 1300 lumen	+
Stick lights, 2 pieces, halogen	•
Stick lights, 2 pieces, LED 1300 lumen, with protection	+
Boom shutoff, ascending	+
AutoLift	+
ERC system	•
Height limitation and stick shutoff, electronically	+
Boom cylinder cushioning	+
Industrial stick with quick coupling	+
Stick camera (with separate monitor), bottom side, with protection	+
Liebherr lightweight stick	+
Liebherr multi coupling system	+
Liebherr quick coupler, hydraulic or mechanical	+
Pipe fracture safety valves hoist cylinders	•
Pipe fracture safety valve stick cylinder	•
Quick coupling system LIKUFIX	+
Quick coupling system MH40/MH110	+
Protection for piston rod, ERC	+
Protection for piston rod, hoist cylinder	+
Retract stick without pressure	•
Overload warning device	+
Protection for stick	+



Complete Machine

Lubrication	
Lubrication undercarriage, manually – decentralized (grease points)	•
Central lubrication system for uppercarriage and attachment, automatically	•
Central lubrication system for undercarriage, automatically	+
Special coating	
Single-coloured, grey parts excepted	+
Single-coloured, grey parts included (except power train)	+
Multicoloured (except power train)	+
Monitoring	
Rear view monitoring with camera	•
Side view monitoring with camera	+

• = Standard, + = Option
* = optionally extendable after one year

Options and/or special attachments, supplied by vendors other than Liebherr, are only to be installed with the knowledge and approval of Liebherr in order to retain warranty.