

BOMAG BM 1000-1300/30-2 cold planers.
Superb mobility and precision in the 300 HP class.



BOMAG BM 1000-1300/30-2 cold planers.



Hydraulic side plates.

The new BOMAG 300 HP range is now available in three models with working widths of 39.4 inches, 47.2 inches and 51.2 inches. The central rotor location is unique to this type and with four fully steerable tracks, makes these units the most maneuverable in their class. In addition, these models feature a range of innovative features which offer major benefits to contractors worldwide:

Accumulated material is cut through by pressure on the hydraulic side plates. This allows accurate depth sensing for a precise milling result and increases both the quality and speed of work.



25 percent larger water tank capacity.

25 percent higher water tank capacity for longer uninterrupted working shifts and therefore less downtime. On the jobsite this means higher output and lower costs.

The new raised undercarriage supports allow the undercarriage to be extended away from the milling track at full cutting depth. This allows the unit to be levelled on uneven ground or when milling trenches and results in greater stability and safety on the jobsite.



Newly designed tracks.

Faster work and lower costs.

Newly designed tracks increase stability and milling precision. Tracks have been designed for super-quiet performance even at the maximum working speed.

Logical operating controls: quick familiarity.

BOMAG operating consoles are designed for easy and intuitive operation. Functions are language-independent and use globally-recognized symbols. Personnel can easily associate without the need for lengthy training.

Work fast, cleanly and safely.

Extra sealing between the conveyors prevents milled material from escaping. This reduces cleaning work, cuts dust emissions, and increases jobsite personnel safety.

Check-out these winning features:

- Best maneuverability in its class
- Central rotor with four fully steerable tracks
- Superb visibility of work and site environment
- Top-level safety with 1-man operation
- Seated operation allows extra safety and comfort



Intuitive operation at the control console.



Seated operation allows for extra safety and comfort.



Specifications

SHIPPING DIMENSIONS IN INCHES (MM) L X W X H

BM 1000/30-2	388 x 83 x 108	(9860 x 2100 x 2750)
BM 1200/30-2	388 x 87 x 108	(9860 x 2200 x 2750)
BM 1300/30-2	388 x 87 x 108	(9860 x 2200 x 2750)

STANDARD EQUIPMENT

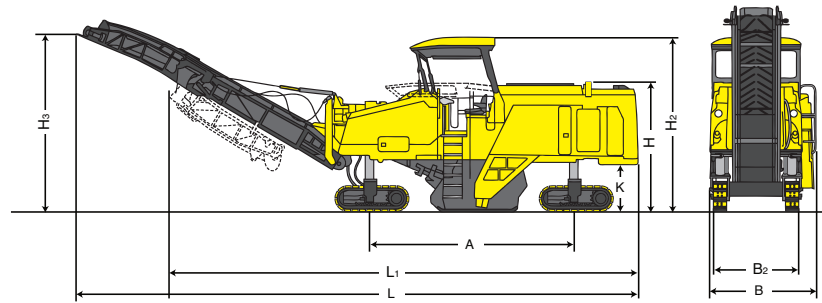
- Four-track steering front or/and rear, crabwalk
- Automatic maximum load control
- Differential lock
- Automatic milling depth control "INTELPLANER"
- 1 INTELPLANER Display
- Slope control with slope sensor
- Foldable conveyor belt
- Display of RPM
- Display of engine oil pressure and temperature
- Display of operating hours
- Display of diesel level
- Display of hydraulic oil temperature
- Display of hydraulic system pressures are ground control panels
- Sound insulated engine hood
- 8 removable headlights
- Adjustable water spraying system
- Tool box for servicing and maintenance
- Back-up warning alarm
- Rotary beacon

OPTIONAL EQUIPMENT

- Hydraulically foldable canopy with windscreens
- Hydraulically driven water pump for refilling
- High pressure cleaner
- Electrical diesel pump for fuel refilling
- Compressed air system

BOMAG AMERICAS, INC.

2000 Kentville Rd. • Kewanee, IL 61443
Tel: 309 853-3571 • Fax: 309 852-0350



Dimensions in inches (mm)

	A	B	B2	H	H2	H3	K	L	L1
BM 1000/30-2	149.2 (3790)	82.7 (2100)	69.3 (1760)	108.3 (2750)	137.8 (3500)	181.1 (4600)	39.8 (1010)	521.7 (13250)	388.2 (9860)
BM 1200/30-2	149.2 (3790)	86.6 (2200)	69.3 (1760)	108.3 (2750)	137.8 (3500)	181.1 (4600)	39.8 (1010)	521.7 (13250)	388.2 (9860)
BM 1300/30-2	149.2 (3790)	86.6 (2200)	69.3 (1760)	108.3 (2750)	137.8 (3500)	181.1 (4600)	39.8 (1010)	521.7 (13250)	388.2 (9860)

Technical data

Milling drum

	BM 1000/30-2	BM 1200/30-2	BM 1300/30-2
Milling width..... inches (mm)	39.4 (1000)	47.2 (1200)	51.2 (1300)
Milling depth..... inches (mm)	0-12.6 (0-320)	0-12.6 (0-320)	0-12.6 (0-320)
Milling line distance..... inches (mm)	.6 (15)	.6 (15)	.6 (15)
Cutting circle diameter inches (mm)	38.6 (980)	38.6 (980)	38.6 (980)
Number of cutting teeth.....	104	116	123
Output per cutting tooth..... Hp (kW)	2.64 (1.97)	2.37 (1.77)	2.24 (1.67)
Speed..... rpm	121	121	121

Engine

	BM 1000/30-2	BM 1200/30-2	BM 1300/30-2
Manufacturer / Type.....	CAT C7	CAT C7	CAT C7
Cooling.....	Liquid	Liquid	Liquid
Tier Compliance.....	Tier 3	Tier 3	Tier 3
Number of cylinders	6	6	6
Performance J 1349 Hp (kW)	275 (205)	275 (205)	275 (205)
Speed rpm	2,200	2,200	2,200
Fuel type	Diesel	Diesel	Diesel
Voltage..... V	24	24	24

Weights

	BM 1000/30-2	BM 1200/30-2	BM 1300/30-2
Max. operating weight w/ full fuel tank .. lbs (kg)	43651 (19800)	44313 (20100)	44644 (20250)
Operating weight lbs (kg)	42108 (19100)	42770 (19400)	43100 (19550)
Basic weight lbs (kg)	40785 (18500)	41447 (18800)	41778 (18950)

Drive features

	BM 1000/30-2	BM 1200/30-2	BM 1300/30-2
Inside turning radius in (mm)	110.2 (2800)	110.2 (2800)	110.2 (2800)
Transport speed mph (kmph)	0-3.73 (0-6)	0-3.73 (0-6)	0-3.73 (0-6)
Max. working speed fpm (m/min)	0-91.9 (0-28)	0-91.9 (0-28)	0-91.9 (0-28)

Chassis

	BM 1000/30-2	BM 1200/30-2	BM 1300/30-2
Type of chassis	Track drive	Track drive	Track drive
Width in (mm)	10.2 (260)	10.2 (260)	10.2 (260)
Height in (mm)	22.4 (570)	22.4 (570)	22.4 (570)
Length in (mm)	49.8 (1265)	49.8 (1265)	49.8 (1265)

Filling capacities

	BM 1000/30-2	BM 1200/30-2	BM 1300/30-2
Fuel..... gal (l)	132.1 (500)	132.1 (500)	132.1 (500)
Water..... gal (l)	330.2 (1250)	330.2 (1250)	330.2 (1250)
Hydraulic oil..... gal (l)	33 (125)	33 (125)	33 (125)

Loading system

	BM 1000/30-2	BM 1200/30-2	BM 1300/30-2
Width of gathering belt in (mm)	23.6 (600)	23.6 (600)	23.6 (600)
Length of gathering belt in (mm)	86.6 (2200)	86.6 (2200)	86.6 (2200)
Width of loader conveyor belt in (mm)	23.6 (600)	23.6 (600)	23.6 (600)
Length of loader conveyor belt in (mm)	291.3 (7400)	291.3 (7400)	291.3 (7400)

Transport dimensions

	BM 1000/30-2	BM 1200/30-2	BM 1300/30-2
Belt lowered, length..... in (mm)	521.6 (13250)	521.6 (13250)	521.6 (13250)
Belt lowered, width..... in (mm)	82.7 (2100)	86.6 (2200)	86.6 (2200)
Belt lowered, height in (mm)	108.3 (2750)	108.3 (2750)	108.3 (2750)
Belt folded, length in (mm)	388.2 (9860)	388.2 (9860)	388.2 (9860)

We reserve the right to make technical changes. Machines may be illustrated with optional accessories.