

**BOMAG BM 500 - 600/15 cold planers.**  
Productivity and comfort re-defined.



ASPHALT



## Innovative technology.

The new BOMAG BM 500 - 600/15 cold planers give milling contractors and construction companies compact machines that are versatile all around units with just one aim: higher user profits. This new innovative design features systems that monitor and respond to optimum output levels for lower fuel consumption and versatile milling speeds with higher cutting power that increase productivity.

### **Ergonomics deliver fatigue-free and safe work processes.**

An attractive and safe operating environment which provides ideal conditions for work in a seated position – with no harmful vibration – that's the new BM 500 - 600/15!



Relaxed operation with excellent visibility.

The entire operator's platform is vibration isolated, including the seat, steering wheel and multi-function armrest. Additionally the seat console pivots out by 45° to ensure the operator stays seated during operation. This means the driver keeps the planed edge and loading truck in easy view without needing to turn.

The fully adjustable steering wheel and simple easy-reach operating console increase the comfort and safety of the operator.

### **Success factors:**

Engine output: 143 hp (105 kW)

Milling depth: 0-8.3 in (0-210 mm)

Steering: 3-wheel or 4-wheel options.

**Less costs with easy servicing**

BOMAG has reduced and simplified daily service requirements by bringing together all service points onto the right side of the unit. The driver has quick access through an easy-to-open engine hood, revealing the entire service area and which simultaneously acts also as a protective roof.



All service points are centrally located for easy servicing.

**More profit with less manual refinishing**

Intelligent details such as the decentralised gear reduce manual refinishing. The side plate can be set straight, with no material accumulation during operation. This produces equally high stability on both sides. The result: no expensive repairs or remedial work.



Stable and durable – the side plates.

**High utilisation with maximum versatility**

One machine for all applications saves time and cuts costs! BOMAG quick-change Milling Drums are available in different working widths. The optimum line spacing and best cutting speed for the job can be selected to reduce running production costs.

- **Attain deep cutting depths** at low drum speeds with the POWER DRUM
- **Unsurpassed surface work** at average drum speeds with 0.59 in (15 mm) spacing

- **Perfect surfaces** at high drum speeds are achievable with Fine Milling Drum
- **Easy access** for servicing milling teeth



**Quick-change Milling Drum**  
 Cutting width: 11.8 in (300 mm)  
 Line spacing: 0.55 in (14 mm)  
 Cutting depth: 0-6.3 in (0-160 mm)

**Quick-change Milling Drum**  
 Cutting width: 15.7 in (400 mm)  
 Line spacing: 0.55 in (14 mm)  
 Cutting depth: 0-6.3 in (0-160 mm)



**Quick-change Fine Milling Drum**  
 Cutting width: 19.7 in (500 mm)  
 Line spacing: 0.24 in (6 mm)  
 Cutting depth: 0-2 in (0-50 mm)



**Quick-change Milling Drum**  
 Cutting width: 19.7 in (500 mm)  
 Line spacing: 0.59 in (15 mm)  
 Cutting depth: 0-8.3 in (0-210 mm)



**Quick-change POWER DRUM**  
 Cutting width: 19.7 in (500 mm)  
 Line spacing: 0.79 in (20 mm)  
 Cutting depth: 0-8.3 in (0-210 mm)

# Specifications

**SHIPPING DIMENSIONS IN INCHES (MM) L X W X H**

BM 500/15 336.6 x 52.4 x 108.3 (8550 x 1330 x 2570)

BM 600/15 336.6 x 52.4 x 108.3 (8550 x 1330 x 2570)

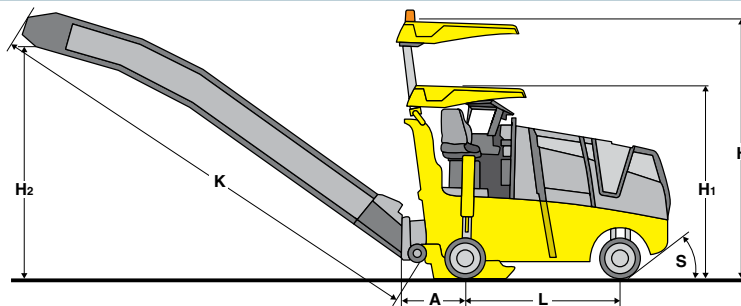
**STANDARD EQUIPMENT**

- 3 milling drum speeds
- Proportional adjustable water injection
- Automatic water-saving device
- Wear-free, digital milling depth display
- Proportional milling depth adjustment
- Two proportional speeds for Milling-depth adjustment
- Hydraulically operated side-plates & front mouldboard
- Rear mouldboard with adjustable pre-load pressure
- Automatic load-control
- 3-wheel drive
- Right rear wheel foldable from operator place
- Variable transport & milling speeds
- Fully vibration-isolated operator-platform
- Ergonomic adjustable operator seat & steering wheel / column
- Height-adjustable arm-rest with integrated ergonomic operation panel
- Self-explanatory, well-arranged dashboard
- Large storage at ground level
- All service- and maintenance-points are concentrated on right-hand side
- Whisper-package for noise elimination
- Two driving lights & three variable working-lights
- Rotary-beacon, mirror & back-up alarm
- Vandalism protection

**OPTIONAL EQUIPMENT**

- 4-Wheel-version
- Weather protection roof
- Split rear scraper door
- Working light
- Milling drum 300, 400 or 500
- POWER DRUM 500
- Fine Milling drum 500
- Automatic levelling systems: Single or Dual grade
- BOMAG TELEMATIK

**BOMAG AMERICAS, INC.**  
 125 Blue Granite Parkway  
 Ridgeway, SC 29130 • Tel: 803 337-0700



**Dimensions in inches (mm)**

	A	H	H1	H2	K	L	S
<b>BM 500/15</b>	35.2 (895)	142.5 (3620)	108.3 (2750)	151.6 (3850)	246.9 (6245)	83.5 (2120)	30°
<b>BM 600/15</b>	35.2 (895)	142.5 (3620)	108.3 (2750)	151.6 (3850)	246.9 (6245)	83.5 (2120)	30°

**Technical data**

**Milling Drum**

	BM 500/15	BM 600/15
Standard milling width	19.7 (500)	23.6 (600)
Milling depth	0 – 8.3 (0 - 210)	0 – 8.3 (0 - 210)
Milling line space	0.59 (15)	0.59 (15)
Cutting diameter, tools	27.6 (700)	27.6 (700)
Number of cutting teeth	58	64
Output per cutting tooth	2.47 (1.84)	2.20 (1.64)
Speed	Variable / 115 / 130 /146 rpm (1/min)	Variable / 115 / 130 /145

**Engine**

	BM 500/15	BM 600/15
Manufacturer / Type	Deutz TCD 4.1	Deutz TCD 4.1
Tier Compliance	Tier 4i	Tier 4i
Cooling	liquid cooled	liquid cooled
Number of Cylinders / Displacement	4 / 244 (4 / 4000) in <sup>3</sup> (cm <sup>3</sup> )	4 / 244 (4 / 4000)
Performance J 1349	143 (105) Hp (kW)	143 (105)
Engine Speed	2100 rpm	2100
Electrical Equipment Generator	24V / 80A	24V / 80A
Battery	3 x 12V / 88Ah	3 x 12V / 88Ah

**Weights**

	BM 500/15	BM 600/15
Max. operating weight (incl. Options)	18739 (8500) lbs (kg)	18960 (8600)
Operating weight, CECE (with conveyor)	16976 (7700)	17196 (7800)
Basic weight (3-Wheels, Drum 500, w/o conveyor)	14991 (6800) lbs (kg)	15212 (6900)

**Driving Features**

	BM 500/15	BM 600/15
Milling-radius 3-Wheels	9.6 (245) in (mm)	9.6 (245)
Milling-radius 4-Wheels	9.6 (245) in (mm)	9.6 (245)
Transport speed	1-3.7 (0-6) mph (kmph)	1-3.7 (0-6)
Max. working speed	1-98.4 (0-30) fpm (m/min)	1-98.4 (0-30)

**Wheels**

	BM 500/15	BM 600/15
Type of wheel	solid rubber	solid rubber
Rear wheel size	22.1 x 10.0 (560 x 254) in (mm)	22.1 x 10.0 (560 x 254)
Front wheel size 3-Wheels	22.1 x 10.0 (560 x 254) in (mm)	22.1 x 10.0 (560 x 254)
Front wheel size 4-Wheels	22.1 x 8.0 (560 x 203) in (mm)	22.1 x 8.0 (560 x 203)

**Capacities**

	BM 500/15	BM 600/15
Fuel	60.8 (230) gal (l)	60.8 (230)
Water	158.5 (600) gal (l)	158.5 (600)
Hydraulic oil	26.4 (100) gal (l)	26.4 (100)

**Loading system**

	BM 500/15	BM 600/15
Conveyor width	15.7 (400) in (mm)	15.7 (400)
Theoretical capacity	111.2 (85) y <sup>3</sup> /h (m <sup>3</sup> /h)	111.2 (85)
Discharge height	151.6 (3850) in (mm)	151.6 (3850)

**Transport dimensions**

	BM 500/15	BM 600/15
Machine, L x W x H (with canopy)	147.1 x 64.4 x 108.3 (3735 x 1635 x 2750)	147.1 x 68.3 x 108.3 (3735 x 1735 x 2750)
Conveyor, long, L x W x H	245.9 x 32.4 x 39.8 (6247 x 824 x 1010)	245.9 x 32.4 x 39.8 (6247 x 824 x 1010)
Max. distance of loading ramps (3-Wheels)	27.6 (700) in (mm)	31.5 (800)