



**BOMAG**  
FAYAT GROUP

## Single Drum Vibratory Rollers

### **BW145-5 Series**



#### **KEY FEATURES**

- 56" inch drum width
- Tier 4 final compliance
- ECOMODE increases fuel efficiency
- No daily grease points
- Dual pump travel system for DH/PDH
- Compact design for easy transport
- Optional leveling blade for DH/PDH
- Optional BOMAG Terrameter with Evib



# BW145-5 Series



## ■ *An Innovative New Design for Production, Quality and R.O.I.*

### ■ Applications:

- Confined area jobsites
- Utility and municipal projects
- Highway construction and maintenance
- Residential and commercial construction
- Parking lots

### ■ Tier 4 final compliant:

- D model Duetz engine utilizes a diesel oxidation catalyst (DOC)
- DH/PDH model Kubota engine utilizes a diesel particulate filter (DPF)







Optional Cab offers excellent visibility and comfort.



Operator's cockpit features dual entry accessibility.

**BOMAG's NEW -5 Series Single Drum Rollers offer several new benefits.**

- Operators will appreciate the updated cockpit with its spacious area, easy reach controls, and safe sightlines.
- Service technicians will be more efficient with easy daily checks and maintenance items.
- QA/QC personnel and site foremen will appreciate the production benefits of the optional TERRAMETER.
- Owners will achieve efficient utilization, uptime, and return on their equipment investment.
- Optional cab, leveling blade, and padfoot shell kits increase machine versatility.



Clear design of the operating controls.

MODEL	Compaction Output (cu. yd/h) at recommended soil layer/lift thickness. *		
	Gravel, Sand	Mixed Soils	Silt, Clay
BW145D-5	209 - 419	157 - 314	78 - 157
BW145DH-5	209 - 419	157 - 314	78 - 157
BW145PDH-5	209 - 419	157 - 314	105 - 209

MODEL	Compaction Layer Thickness (in).*		
	Gravel, Sand	Mixed Soils	Silt, Clay
BW145D-5	16	12	6
BW145DH-5	16	12	6
BW145PDH-5	16	12	8

\* Compaction output influenced by soil/material type and moisture content.

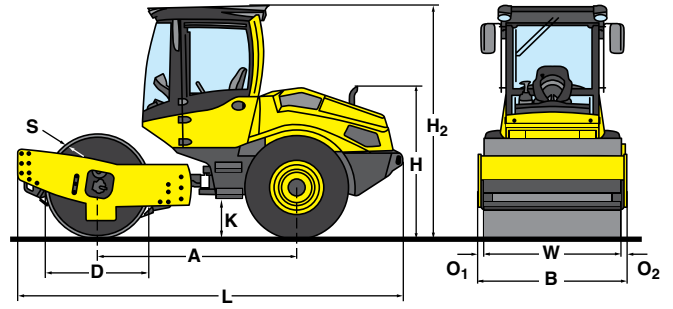


Models are suitable for compaction of granular, mixed and semi-cohesive soils.

*Best for*  
**COMPACTION**

# Technical Specifications

## BW145-5 Series



### Shipping dimensions

in cubic feet (m <sup>3</sup> )	without/with ROPS	
BW145D-5	376.7 (10.7)	652.5 (18.5)
BW145DH-5	376.7 (10.7)	652.5 (18.5)
BW145PDH-5	376.7 (10.7)	652.5 (18.5)

### Standard Equipment

- BOMAG ECOMODE
- Double pump system for travel drive (DH/PDH)
- Dual frequencies and amplitudes
- Warning, information and operation displays
- Hydrostatic travel and vibration drive
- Hydrostatic articulated steering
- Articulated joint lock
- Rear axle with (SAHR) brakes
- No-Spin rear differential
- Working lights front/rear
- Warning horn
- Single lever control for travel and vibration
- Emergency STOP
- Noise reducing insulation
- Back-up alarm
- Tractor tires (PDH)
- ROPS/FOPS with seat belt

### Optional Equipment

- ROPS cab with heating
- Air conditioning
- Sliding side windows
- Radio
- ECOSTOP
- Indicator and hazard lights
- Rotary beacon
- Rearview camera
- Adjustable tilt steering column
- TERRAMETER
- Printer for TERRAMETER
- BOMAG TELEMATIC
- Tractor tires (D/DH)
- Padfoot segment kit (D/DH)
- Leveling blade (DH/PDH)

### Dimensions in inches (mm)

	A	B	D	H	H <sub>2</sub>	K	L	O <sub>1</sub>	O <sub>2</sub>	S	W
BW145D-5	88.6 (2250)	61.3 (1556)	41.7 (1058)	61.8 (1570)	107.1 (2720)	12.6 (320)	171.9 (4366)	2.6 (65)	2.6 (65)	0.79 (20)	56.1 (1426)
BW145DH-5	88.6 (2250)	61.3 (1556)	41.7 (1058)	61.8 (1570)	107.1 (2720)	12.6 (320)	171.9 (4366)	2.6 (65)	2.6 (65)	0.79 (20)	56.1 (1426)
BW145PDH-5	88.6 (2250)	61.3 (1556)	41.1 (1044)	61.8 (1570)	107.1 (2720)	12.6 (320)	171.9 (4366)	2.6 (65)	2.6 (65)	0.59 (15)	56.1 (1426)

### Technical Data

#### Weights

	BOMAG BW145D-5	BOMAG BW145DH-5	BOMAG BW145PDH-5
Operating weight (ROPS) . . . . . lb (kg)	10053 (4560)	10207 (4630)	10758 (4880)
Axle load, drum . . . . . lb (kg)	5269 (2390)	5335 (2420)	5886 (2670)
Axle load, wheel . . . . . lb (kg)	4784 (2170)	4872 (2210)	4872 (2210)
Static linear load . . . . . pli (kg/cm)	93.9 (16.7)	95.1 (16.9)	
Operating weight (ROPS-cabin) . . lb (kg)	10472 (4750)	10626 (4820)	11177 (5070)

#### Driving Characteristics

Speed (1) . . . . . mph (km/h)	0-2.4 (0-3.8)	0-6.2 (0-10)	0-6.2 (0-10)
Speed (2) . . . . . mph (km/h)	0-3 (0-4.9)		
Speed (3) . . . . . mph (km/h)	0-4 (0-6.5)		
Speed (4) . . . . . mph (km/h)	0-6.2 (0-10)		
Max. gradeability (without/with vibr.) . %	51/48	64/59	64/59

#### Drive

	BOMAG BW145D-5	BOMAG BW145DH-5	BOMAG BW145PDH-5
Engine manufacturer . . . . .	Deutz	Kubota	Kubota
Type . . . . .	TD 2.9 L04	V3307 CR-T	V3307 CR-T
Tier compliance . . . . .	4 Final	4 Final	4 Final
Cooling . . . . .	water	water	water
Number of cylinders . . . . .	4	4	4
Performance SAE J 1995 . . . . . hp	74	74	74
Performance ISO 3046 . . . . . kW	55.4	55.4	55.4
Speed . . . . . rpm	2400	2400	2400
Fuel . . . . .	diesel	diesel	diesel
Electric equipment . . . . . V	12	12	12
Drive system . . . . .	hydrostatic	hydrostatic	hydrostatic
Drum driven . . . . .	standard	standard	standard

#### Tires

Tire size . . . . .	12.5-20/12PR	12.5-20/12PR	12.4-24/12PR
---------------------	--------------	--------------	--------------

#### Brakes

Service brake . . . . .	hydrostatic	hydrostatic	hydrostatic
Parking brake . . . . .	hydromechanical	hydromechanical	hydromechanical

#### Steering

Steering system . . . . .	oscil. artic.	oscil. artic.	oscil. artic.
Steering method . . . . .	hydrostatic	hydrostatic	hydrostatic
Steering / oscillating angle +/- . . . . . deg	35/12	35/12	35/12

#### Exciter system

Drive system . . . . .	hydrostatic	hydrostatic	hydrostatic
Frequency . . . . . VPM (Hz)	1860/2280 (31/38)	1860/2280 (31/38)	1860/2280 (31/38)
Amplitude . . . . . in (mm)	0.067/0.031 (1.70/0.80)	0.067/0.031 (1.70/0.80)	0.057/0.028 (1.45/0.70)
Centrifugal force . . . . . lb (kN)	17985/12589 (80/56)	17985/12589 (80/56)	17985/12589 (80/56)

#### Capacities

Fuel . . . . . gal (l)	29 (110)	29 (110)	29 (110)
------------------------	----------	----------	----------

#### Optional Blade Data

Additional weight . . . . . lb (kg)	---	830 (377)	830 (377)
Additional length . . . . . in (mm)	---	16 (400)	16 (400)
Blade dimension . . . . . in (mm)	---	23 x 67.9 (585 x 1725)	23 x 67.9 (585 x 1725)

\* Technical modifications reserved.  
Machines may be shown with options.

