



BOMAG
FAYAT GROUP

Single Drum Vibratory Rollers

BW177-5 Series



KEY FEATURES

- 66" inch drum width
- Tier 4 final compliance
- ECOMODE increases fuel efficiency
- No grease points
- Dual pump travel system for DH/PDH
- Compact design for easy transport
- Optional leveling blade for DH/PDH
- Optional BOMAG Terrameter with Evib



BW177-5 Series



■ *An Innovative New Design for Production, Quality and R.O.I.*

■ Applications:

- Confined area jobsites
- Utility and municipal projects
- Highway construction and maintenance
- Residential and commercial construction
- Parking lots
- Landfill

■ Tier 4 final compliant:

- D model Duetz engine utilizes a diesel oxidation catalyst (DOC)
- DH/PDH model Kubota engine utilizes a diesel particulate filter (DPF)





Optional Cab offers excellent visibility and comfort.



Operator's cockpit features dual entry accessibility.

BOMAG's NEW -5 Series Single Drum Rollers offer several new benefits.

- Operators will appreciate the updated cockpit with its spacious area, easy reach controls, and safe sightlines.
- Service technicians will be more efficient with easy daily checks and maintenance items.
- QA/QC personnel and site foremen will appreciate the production benefits of the optional TERRAMETER.
- Owners will achieve efficient utilization, uptime, and return on their equipment investment.
- Optional cab, leveling blade, and padfoot shell kits increase machine versatility.



Clear design of the operating controls.

MODEL	Compaction Output (cu. yd/h) at recommended soil layer/lift thickness. *		
	Gravel, Sand	Mixed Soils	Silt, Clay
BW177D-5	275 - 550	210 - 420	90 - 185
BW177DH-5	275 - 550	210 - 420	90 - 185
BW177PDH-5	275 - 550	210 - 420	90 - 185

MODEL	Compaction Layer Thickness (in).*		
	Gravel, Sand	Mixed Soils	Silt, Clay
BW177D-5	18	14	6
BW177DH-5	18	14	6
BW177PDH-5	18	14	8

* Compaction output influenced by soil/material type and moisture content.

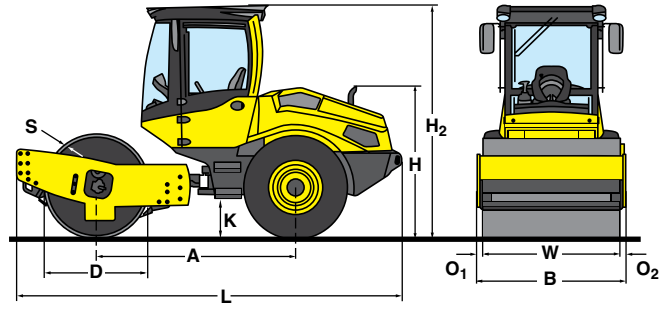


Models are suitable for compaction of granular, mixed and semi-cohesive soils.

Best for
COMPACTION

Technical Specifications

BW177-5 Series



Shipping dimensions

	in cubic feet (m ³) without/with ROPS	
BW177D-5	482.8 (13.7)	817.2 (23.1)
BW177DH-5	482.8 (13.7)	817.2 (23.1)
BW177PDH-5	482.8 (13.7)	817.2 (23.1)

Dimensions in inches (mm)

	A	B	D	H	H ₂	K	L	O ₁	O ₂	S	W
BW177D-5	92.5 (2350)	71.7 (1820)	48.4 (1228)	65.1 (1654)	110.2 (2800)	15 (380)	178.8 (4541)	2.6 (65)	2.6 (65)	0.79 (20)	66.4 (1686)
BW177DH-5	92.5 (2350)	71.7 (1820)	48.4 (1228)	65.1 (1654)	110.2 (2800)	15 (380)	178.8 (4541)	2.6 (65)	2.6 (65)	0.79 (20)	66.4 (1686)
BW177PDH-5	92.5 (2350)	71.7 (1820)	47.6 (1208)	65.1 (1654)	110.2 (2800)	15 (380)	178.8 (4541)	2.6 (65)	2.6 (65)	0.59 (15)	66.4 (1686)

Technical Data

	BOMAG BW177D-5	BOMAG BW177DH-5	BOMAG BW177PDH-5
Weights			
Operating weight (ROPS) lb (kg)	14132 (6410)	14352 (6510)	14903 (6760)
Axle load, drum lb (kg)	8598 (3900)	8708 (3950)	9259 (4200)
Axle load, wheel lb (kg)	5534 (2510)	5644 (2560)	5644 (2560)
Static linear load pli (kg/cm)	129.5 (23.1)	131.1 (23.4)	---
Operating weight (ROPS-cabin) . . . lb (kg)	14551 (6600)	14771 (6700)	15322 (6950)
Driving Characteristics			
Speed (1) mph (km/h)	0-2.8 (0-4.5)	0-6.2 (0-10)	0-6.2 (0-10)
Speed (2) mph (km/h)	0-3.4 (0-5.5)		
Speed (3) mph (km/h)	0-4.6 (0-7.5)		
Speed (4) mph (km/h)	0-6.5 (0-10.5)		
Max. gradeability (without/with vibr.)	49/46	61/58	61/58
Drive			
Engine manufacturer	Deutz	Kubota	Kubota
Type	TD 2.9 L04	V3307 CR-T	V3307 CR-T
Tier compliance	Tier 4 Final	Tier 4 Final	Tier 4 Final
Cooling	Water	Water	Water
Number of cylinders	4	4	4
Performance SAE J 1995 hp	74	74	74
Performance ISO 3046 kW	55.4	55.4	55.4
Speed rpm	2400	2400	2400
Fuel	diesel	diesel	diesel
Electric equipment V	12	12	12
Drive system	Hydrostatic	Hydrostatic	Hydrostatic
Drum driven	Standard	Standard	Standard
Tires			
Tire size	14.9-24/8PR	14.9-24/8PR	14.9-24/8PR
Steering			
Steering method	Hydrostatic	Hydrostatic	Hydrostatic
Steering / oscillating angle +/- degrees	35/12	35/12	35/12
Track radius, inner in (mm)	117 (2975)	117 (2975)	117 (2975)
Exciter system			
Drive system	Hydrostatic	Hydrostatic	Hydrostatic
Frequency VPM (Hz)	1860/2280 (31/38)	1860/2280 (31/38)	1860/2280 (31/38)
Amplitude in (mm)	0.075/0.031 (1.90/0.80)	0.075/0.031 (1.90/0.80)	0.069/0.035 (1.75/0.88)
Centrifugal force lb (kN)	25179/16636 (112/74)	25179/16636 (112/74)	25179/16636 (112/74)
Capacities			
Fuel gal (l)	29 (110)	29 (110)	29 (110)
Optional Blade Data			
Additional weight lb (kg)	---	882 (400)	882 (400)
Additional length in (mm)	---	16 (400)	16 (400)
Blade dimension in (mm)	---	23 x 86.6 (585 x 2200)	23 x 86.6 (585 x 2200)

* Technical modifications reserved.
Machines may be shown with options.

