



BOMAG
FAYAT GROUP

Tandem Vibratory Roller BW135AD-5, BW138AD-5



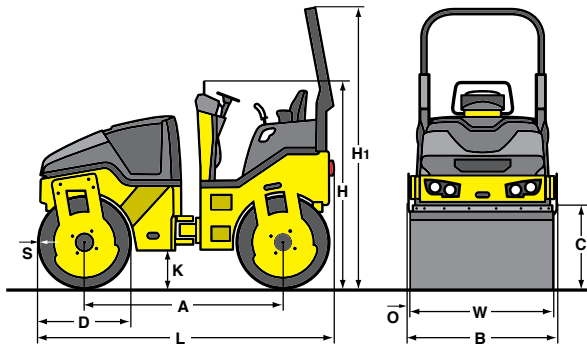
KEY FEATURES

- Kubota diesel engine
- Foldable ROPS
- Dual Vibration Frequency
- Double travel lever and sliding seat
- No daily grease points
- Easy & simple operation
- Optional ECONOMIZER



Technical Specifications

BW135AD-5, BW138AD-5



Shipping dimensions in cubic feet (m³)

BW135AD-5	377	(10.7)
BW138AD-5	398	(11.3)

Standard Equipment

- Hydrostatic travel and vibration drives
- Dual vibration frequency
- Foldable ROPS with safety belts
- Suspended operator's platform
- Adjustable operator's seat
- Lateral sliding seat
- Seat with safety contact switch
- Double travel lever
- Individual vibration control
- 2 flexible scrapers per drum
- Bolt-on oscillating/articulating joint
- Pressure water sprinkler system
- Water system interval switch
- Lockable engine cover
- Lockable dashboard cover
- Emergency stop button
- Working lights front/rear
- Fuel level indicator
- Hour meter
- Back-up alarm

Optional Equipment

- Economizer (Factory Installation)
- Rotary beacon
- Edge cutter
- Indicator and hazard lights
- Biodegradable hydraulic oil
- Special paint color

Dimensions in inches (mm)

	A	B	C	D	H	H ₁	K	L	O	S	W
BW135AD-5	74.8 (1900)	54.7 (1390)	27.6 (700)	35.4 (900)	74.8 (1900)	106.3 (2700)	13.4 (340)	111.8 (2840)	1.7 (44)	0.6 (16)	51.2 (1300)
BW138AD-5	74.8 (1900)	57.9 (1470)	27.6 (700)	35.4 (900)	74.8 (1900)	106.3 (2700)	13.4 (340)	111.8 (2840)	1.7 (44)	0.7 (18)	54.3 (1380)

Technical Data

	BOMAG BW135AD-5	BOMAG BW138AD-5
Weights		
Operating weight w. ROPS CECE	8488 (3850) lbs (kg)	9370 (4250) lbs (kg)
Average axle load CECE	4244 (1925) lbs (kg)	4685 (2125) lbs (kg)
Average static linear load CECE.....	82.9 (14.8) pli (kg/cm)	86.3 (15.4) pli (kg/cm)
Driving Characteristics		
Working speed	0 - 3.1 (0 - 5) mph (kmph)	0 - 3.1 (0 - 5) mph (kmph)
Max. travel speed	0 - 6.2 (0 - 10) mph (kmph)	0 - 6.2 (0 - 10) mph (kmph)
Gradeability (with / without vibration)	40 %	30 / 40 %
Drive		
Engine manufacturer + type	Kubota V 2203	Kubota V 2203
Tier Compliance	Tier 4i	Tier 4i
Cooling	water	water
Number of cylinders	4	4
Performance SAE J 1995 (ISO 9249)	45.3 (33.3) @ 2600 rpm	45.3 (33.3) @ 2600 rpm
Speed adjustment 1	2600 rpm	2600 rpm
Speed adjustment 2	2300 rpm	2300 rpm
Electric equipment	12 V	12 V
Drive system	hydrostatic	hydrostatic
Brakes		
Service brake	hydrostatic	hydrostatic
Parking brake	hydromec.	hydromec.
Steering		
Steering system and method	oscil. / artic. / hydrostatic	oscil. / artic. / hydrostatic
Steering / Oscillating angle +/-	32 / 10 degrees	32 / 10 degrees
Crab walk / Mechanical	2 (50) in (mm)	2 (50) in (mm)
Track radius, inner	104.9 (2665) in (mm)	103 (2616) in (mm)
Exciter system		
Vibrating drum	front + rear	front + rear
Drive system	hydrostatic	hydrostatic
Frequency	3480 / 2820 (58 / 47) vpm (Hz)	3480 / 2820 (58 / 47) vpm (Hz)
Amplitude	0.016 (0.4) in (mm)	0.016 (0.4) in (mm)
Centrifugal force (each drum)	9000 / 5850 (40 / 26) lbs (kN)	10800 / 6975 (48 / 31) lbs (kN)
Sprinkler System		
Type	pressure with interval	pressure with interval
Capacities		
Fuel	14.5 (55) gal (l)	14.5 (55) gal (l)
Water	81.9 (310) gal (l)	81.9 (310) gal (l)

Technical modifications reserved. Machines may be shown with options.