



**BOMAG**  
FAYAT GROUP

## Combination Vibratory Roller **BW138AC-5**



### KEY FEATURES

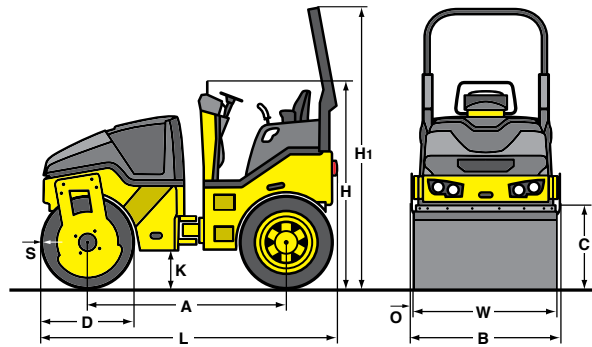
- 54" inch drum width
- 35.4" inch drum diameter
- 4 smooth pneumatic tires
- Kubota diesel engine
- Enhanced tractive effort
- ECONOMIZER
- Dual vibration frequency
- Double travel lever and sliding seat
- No daily grease points
- Foldable ROPS

[www.bomag.com/us](http://www.bomag.com/us)



# Technical Specifications

## BW138AC-5



Shipping dimensions  
in cubic feet (m<sup>3</sup>)

BW138AC-5 398 (11.3)

### Standard Equipment

- Hydrostatic travel and vibration drives
- Foldable ROPS with safety belts
- Suspended operator's platform
- Adjustable operator's seat
- Lateral sliding seat
- Seat with safety contact switch
- Double travel lever
- 2 flexible scrapers per drum
- Bolt-on oscillating/articulating joint
- Pressure water sprinkler system
- Water system interval switch
- Lockable engine cover
- Lockable dashboard cover
- Emergency stop button
- Working lights front/rear
- Fuel level indicator
- Hour meter
- Back-up alarm

### Optional Equipment

- Economizer (Factory Installation)
- Rotary beacon
- Edge cutter
- Indicator and hazard lights
- Biodegradable hydraulic oil
- Special paint color

### Dimensions in inches (mm)

	A	B	C	D	H	H <sub>1</sub>	K	L	O	S	W
BW138AC-5	74.8	57.9	27.6	35.4	74.8	106.3	13.4	111.8	1.7	0.7	54.3
	(1900)	(1470)	(700)	(900)	(1900)	(2700)	(340)	(2840)	(44)	(18)	(1380)

### Technical Data

#### Weights

Operating weight w. ROPS CECE .....	lbs (kg)
Axle load drum CECE .....	lbs (kg)
Wheel load CECE .....	lbs (kg)

#### Driving Characteristics

Max. travel speed .....	mph (kmph)
Gradeability (with / without vibration) .....	%

#### Drive

Engine manufacturer + type .....	
Tier Compliance .....	
Cooling .....	
Number of cylinders .....	
Performance SAE J 1995 (ISO 14396) .....	hp (kW)
Speed adjustment 1 .....	rpm
Speed adjustment 2 .....	rpm
Electric equipment .....	V
Drive system .....	

#### Drum and Tires

Tire size .....	
Number of tires .....	

#### Brakes

Service brake .....	
Parking brake .....	

#### Steering

Steering system and method .....	
Steering / Oscillating angle +/- .....	degrees
Crab steer offset / Mechanical .....	in (mm)
Track radius, inner .....	in (mm)

#### Exciter system

Vibrating drum .....	
Drive system .....	
Frequency .....	vpm (Hz)
Amplitude .....	in (mm)
Centrifugal force (front drum) .....	lbs (kN)

#### Water spray system

Type .....	
------------	--

#### Capacities

Fuel .....	gal (l)
Water .....	gal (l)
Emulsion for tires .....	gal (l)

Technical modifications reserved. Machines may be shown with options.

### BOMAG BW138AC-5

9039 (4100)  
4630 (2100)  
1102 (500)

0 - 6.2 (0 - 10)  
30/40

Kubota V 2203  
Tier 4i  
water  
4  
45.3 (33.3)  
2600  
2300  
12  
hydrostatic

10.5 / 80-16  
4

hydrostatic  
hydromec.

oscil. / artic. / hydrostatic  
32 / 13  
2 (50)  
103 (2616)

front  
hydrostatic  
3120 / 2520 (52 / 42)  
0.02 (0.5)  
11025 / 7200 (49 / 32)

pressure with interval

14.5 (55)  
76.6 (290)  
13.2 (50)