



**BOMAG**  
FAYAT GROUP

## Reversible Vibratory Plates BPR70/70D, BPR100/80D



*Tip Control – A forward and reverse travel control that offers outstanding operator comfort and ease of handling.*

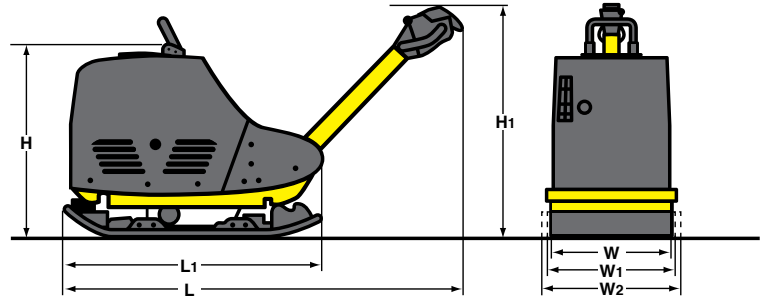


*BOMAG Economizer - A soil stiffness indicator providing greater productivity and reduced machine wear (standard on BPR 100/80D).*



# Technical Specifications

## Reversible Plates



### Shipping dimensions

in cubic feet (m<sup>3</sup>)

BPR70/70D	55.6	(1.57)
BPR100/80D	58.5	(1.66)

### Standard Equipment

- Fully closed engine protection hood made of high strength steel
- Tip control for easy forward and reverse
- Hydraulic travel lever adjustment
- Low vibration steering rod with four rubber supports
- Steering rod lockable in transport and working positions
- Vibration and throttle regulation controls on the steering rod
- Multi-functional, foldable single lifting point
- Automatically adjusting V-belt pulley (BPR70/70D)
- Fully protected V-belt
- Electric starter with warning buzzer to switch off ignition
- BOMAG Economizer (BPR100/80D)
- Backup protection
- Safety crank-handle for emergency starting
- Bumper protection

### Optional Equipment

- BOMAG Economizer (BPR70/70D)
- Extension plates
- Vulcolan mat (BPR70/70D)
- Hour meter
- Service kit

### Dimensions in inches (mm)

	H	H <sub>1</sub>	L	L <sub>1</sub>	W	W <sub>1</sub>	W <sub>2</sub>
BPR70/70D	34.3 (870)	40.6 (1030)	73.2 (1860)	38.6 (980)	21.7 (550)	27.6 (700)	33.5 (850)
BPR100/80D	35.8 (910)	42.5 (1080)	74.4 (1890)	38.6 (980)	25.6 (650)	31.5 (800)	37.4 (950)

### Technical Data

#### Weights

	BOMAG BPR70/70D	BOMAG BPR100/80D
Basic Operating Weight..... lbs (kg)	1257 (570)	1559 (707)
Operating Weight (W)..... lbs (kg)	1226 (556)	1515 (687)
Operating Weight (W <sub>1</sub> )..... lbs (kg)	1276 (579)	1570 (712)
Operating Weight (W <sub>2</sub> )..... lbs (kg)	1312 (595)	1601 (726)

#### Dimensions

	BOMAG BPR70/70D	BOMAG BPR100/80D
Standard working width (W <sub>1</sub> )..... in (mm)	27.6 (700)	31.5 (800)
Working width w/o extensions (W)..... in (mm)	21.7 (550)	25.6 (650)

#### Driving Characteristics

	BOMAG BPR70/70D	BOMAG BPR100/80D
Working speed max ..... ft / min (m /min)	92 (28)	92 (28)
Max. gradeability (depending on soil conditions) ...%	35	35

#### Drive

	BOMAG BPR70/70D	BOMAG BPR100/80D
Engine manufacturer.....	Hatz	Hatz
Type.....	1D 81	1D 90
Cooling.....	air	air
Number of cylinders.....	1	1
Performance ISO 9249 .....hp (kW)	12.5 (9.3)	13.8 (10.3)
Speed.....	2700	2600
Drive system.....	mech.	mech.
Fuel.....	Diesel	Diesel

#### Vibratory system

	BOMAG BPR70/70D	BOMAG BPR100/80D
Frequency..... vpm (Hz)	4020 (67)	3360 (56)
Centrifugal force.....lbs (kN)	15736 (70)	22481 (100)

#### Capacities

	BOMAG BPR70/70D	BOMAG BPR100/80D
Fuel.....gal (l)	2.6 (10)	2.6 (10)

Technical modifications reserved. Machines may be shown with options.