

Reversible Vibratory Plates

BPR25/40 BPR25/40D



The water kit allows for compacting asphalt.



The transport wheels allow for one-person movement around the jobsite.



The Vulcolan mat helps avoid damage to paving stone surfaces.



Technical Specifications

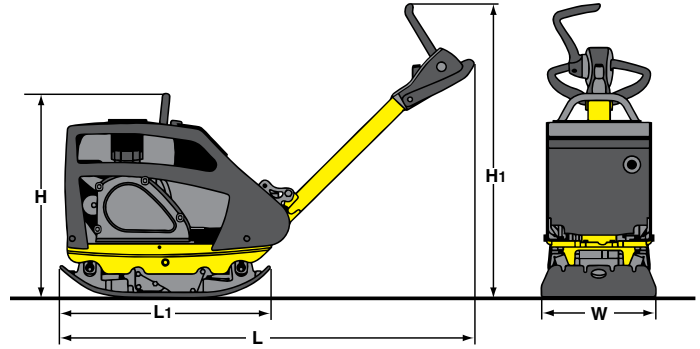
BPR25/40 BPR25/40D

Shipping dimensions

in cubic feet (m³)

BPR25/40 22 (0.624)

BPR25/40D 22 (0.624)



Standard Equipment

- Hydraulic travel lever adjustment
- Vibration dampened steering rod
- Height adjustable steering rod
- Steering rod lockable in transport and working position
- Vibration and throttle regulation on the steering rod
- Highly wear resistant base plate with reinforced edges
- Fully protected V-belt
- Reinforced centrifugal clutch
- Automatically adjusting v-belt pulley
- Semi-automatic decompression (BPR25/40D)
- Large-volume dry air filter with cyclone-type precleaner (BPR25/40)
- Maintenance-free transistor ignition (BPR25/40)
- Recoil starter

Optional Equipment

- Vulcolan mat
- Transport Wheels
- Service Kit
- Water Kit

Dimensions

Dimensions inches (mm)	H	H ₁	L	L ₁	W
BPR25/40	26.0 (660)	34.3 (870)	57.5 (1460)	25.6 (650)	15.7 (400)
BPR25/40D	29.1 (740)	34.3 (870)	57.5 (1460)	25.6 (650)	15.7 (400)

Technical data

	BOMAG BPR25/40	BOMAG BPR25/40D
Weights		
Basic weight	269 (122) lbs (kg)	302 (137) lbs (kg)
Operating weight	276 (125) lbs (kg)	309 (140) lbs (kg)

Driving characteristics

Working speed max	82 (25) ft/min (m/min)	82 (25) ft/min (m/min)
Max gradeability.....	30 %	30 %

Drive

Engine manufacturer.....	Honda	Hatz
Type.....	GX 160	1B20
Cooling.....	air	air
Number of cylinders	1 rpm	1 rpm
Performance ISO 9249	4.8 (3.6) hp (kW)	4.2 (3.1) hp (kW)
Speed	3600	3000
Fuel	gasoline	diesel

Exciter System

Frequency.....	5100 (85) vpm (Hz)	5100 (85) vpm (Hz)
Centrifugal Force	5620 (25) lbs (kN)	5620 (25) lbs (kN)

Capacities

Fuel.....	1 (3.6) gal (l)	0.8 (3) gal (l)
-----------	-----------------	-----------------

Technical modifications reserved. Machine may be shown with options.