



**BOMAG**  
FAYAT GROUP

## Tandem Vibratory Roller BW90AD-5, BW100ADM-5



[www.bomag.com/us](http://www.bomag.com/us)



*Clear operation and indicator controls with a new ergonomic steering wheel for maximum comfort.*



*Wind screen protected water spray nozzles provides uniform coverage.*



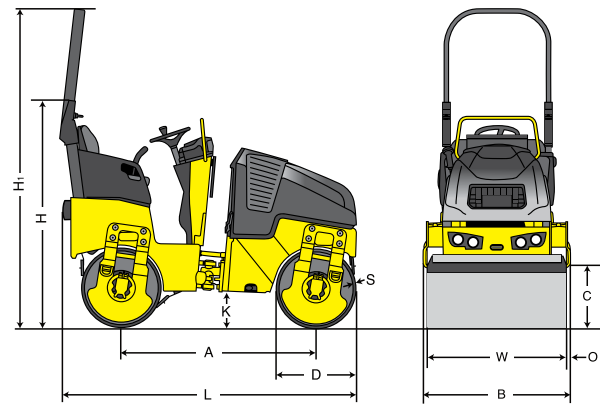
*Maintenance free bolt on articulated / oscillating joint.*



# Technical Specifications

## BW90AD-5, BW100ADM-5

Shipping dimensions in cubic feet (m <sup>3</sup> )	without	/	with ROPS
BW90AD-5	120.5 (3.4)		170.7 (4.8)
BW100ADM-5	133.1 (3.8)		188.5 (5.3)



### Standard Equipment

- Hydrostatic travel and vibration drives
- Front and rear drum vibration
- Front or rear drum vibration lockout
- Series travel drive
- ROPS with retractable seat belt
- Bolt-on oscillating / articulation joint
- Crab walk 0-2 in (0-50 mm)
- Hydrostatic articulated steering
- Spring-Applied, Hydraulically Released (SAHR) parking brake
- Vibration control in travel lever
- Intelligent Vibration Control (IVC)
- 2 scrapers per drum
- Plastic water tank
- Pressurized water sprinkler system
- Hour meter
- Display with control and warning indicator lights
- Fuel level indicator
- Lockable vandal protected instrument panel and engine hood
- Front, center and rear transport lift points
- Emergency stop button
- Corrosion and weather protected ignition switch
- Back-up alarm
- Adjustable operator seat
- Seat contact switch
- Manual storage
- Working lights front and rear

### Optional Equipment

- Foldable ROPS
- Service kit

### Dimensions in inches (mm)

	A	B	C	D	H	H <sub>1</sub>	K	L	O	S	W
BW90AD-5	58.4 (1483)	37.6 (956)	17 (433)	22.8 (580)	64.1 (1627)	90.7 (2304)	10 (255)	86.4 (2194)	1.1 (28)	0.5 (12)	35.4 (900)
BW100ADM-5	58.4 (1483)	41.6 (1056)	17 (433)	22.8 (580)	64.1 (1627)	90.7 (2304)	10 (255)	86.4 (2194)	1.1 (28)	0.5 (12)	39.4 (1000)

### Technical data

#### Weights

Operating Weight.....	lbs (kg)	3527 (1600)	3638 (1650)
Average axle load.....	lbs (kg)	1764 (800)	1819 (825)
Average static linear load CECE.....	pli (kg/cm)	49.8 (8.9)	46.2 (8.3)

#### Driving Characteristics (depending on site conditions)

Speed (with vibration).....	mph (kmph)	0-2.8 (0-4.5)	0-2.8 (0-4.5)
Speed (for transport).....	mph (kmph)	0-6.2 (0-10)	0-6.2 (0-10)
Max. gradeability (without/with vibration).....	%	40/30	40/30

#### Drive

	BOMAG BW90AD-5	BOMAG BW100ADM-5
Engine manufacturer.....	Kubota	Kubota
Type.....	D902	D902
Emission standard.....	Tier 4	Tier 4
Cooling - cylinders.....	water	water
Number of cylinders.....	3	3
Performance ISO 14396.....	hp (kW)	20.2 (15.1)
Speed.....	rpm	3000
Electric Equipment.....	V	12
Drive System.....	hydrostatic	hydrostatic
Drum Driven.....	front + rear (Series)	front + rear (Series)

#### Brakes

Service brake.....	hydrostatic	hydrostatic
Parking brake.....	SAHR	SAHR

#### Steering

Steering system.....	oscil., artic.	oscil., artic.
Steering method.....	hydrostatic	hydrostatic
Track Radius, inner.....	in (mm)	78 (1980)
Steering angle ±.....	degrees	33
Oscillating angle ±.....	degrees	8

#### Vibratory system

Vibrating drum.....	front + rear	front + rear
Drive system.....	hydrostatic	hydrostatic
Frequency.....	vpm (Hz)	3780 (63)
Amplitude.....	in (mm)	0.020 (0.5)
Centrifugal force (each drum).....	lbs (kN)	3822 (17)

#### Water Spray System

Type of water spray system.....	pressurized	pressurized
---------------------------------	-------------	-------------

#### Capacities

Fuel.....	gal (l)	7.9 (30)	7.9 (30)
Water.....	gal (l)	26.4 (100)	26.4 (100)

Technical modifications reserved. Machines may be shown with options.