



BOMAG
FAYAT GROUP

Pickup Machine **Cedarapids® MS2**



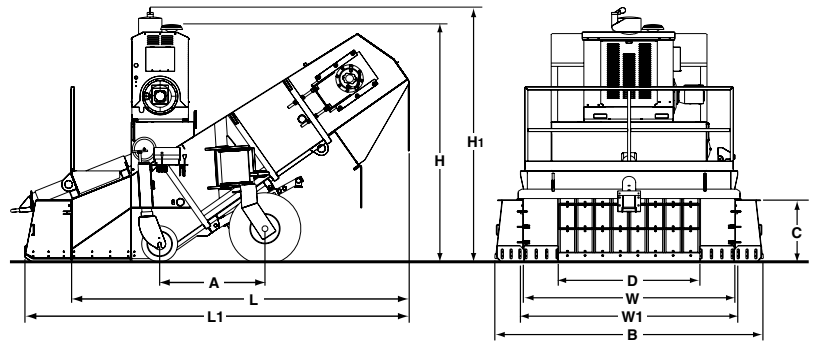
KEY FEATURES

- 121hp Cummins Tier 3 diesel engine
- 1320 tons/hr (1199 t/hr) max capacity
- Variable hydraulic elevator drive
- Design improves mat quality
- Hydraulic leveling
- Adjustable front scraper blade
- Transportable on 8 ft trailer
- Hydrostatic drive



Technical Specifications

Cedarapids® MS2



Standard Equipment

- Dual elevator roller chains with bolt-on flights
- Variable hydrostatic drive
- Two planetary gear boxes and drive mount motors on head shaft
- High-alloy floor liners
- Segmented head shaft sprockets and tail shaft idlers
- Reversible elevator to clear obstructions
- Double seal on head shaft gearbox
- Adjustable front scraper blade
- Rear wheel width allows loading on an 8 ft (2400 mm) trailer
- Three-point suspension
- Hydraulic front leveling
- Front and rear heavy-duty pivots
- Solid rubber front tires
- Pneumatic rear tires
- Telescoping Quick-tach paver attachment
- Pintle hook with telescoping pull hitch
- Removable elevator rear-discharge hood
- Engine instrumentation at ground level
- Operator controls on both sides

Optional Equipment

- Diesel spray-down hose reel
- Lower hopper insert for paver
- Radio remote control

Dimensions in inches (mm)

	A	B	C	D	H	H ₁	L	L ₁	W	W ₁
MS2	53 (1348)	124 (3150)	31 (789)	60 (1524)	119 (3031)	128 (3251)	170 (4320)	194 (4917)	95 (2413)	102 (2591)

Technical Data

Weights

Weight	lbs (kg)
Capacity (max theoretical)	TPH (t/hr)

BOMAG MS2

14500 (6577)
1320 (1199)

Engine

Engine manufacturer	
Tier Compliance	
Fuel Type	
Performance	hp (kW)
Speed	rpm
Electrical	V

Cummins QSB4.5
Tier 3
Diesel
121 (90)
2200
12

Elevator

Width	in (mm)
Flight construction	
Flight size	in (mm)
Roller chain type	
Roller chain pitch	in (mm)
High-alloy liners	in (mm)

60 (1524)
Bolt-on
6 x 4 x 0.5 (152 x 102 x 13)
B1
5.51 (140)
0.375 (10)

Tires

Front (2)	in (mm)
Rear (2)	in (mm)

18 x 9 (457 x 229) solid
8.25 x 15 (210 x 381) 14-ply

Capacities

Diesel fuel	gal (l)
Hydraulic oil	gal (l)
Cooling system	gal (l)

55 (208)
43 (163)
7.1 (27)

Technical modifications reserved. Machines may be shown with options.