



BOMAG
FAYAT GROUP

Rubber Tire Asphalt Paver **Cedarapids® CR452**



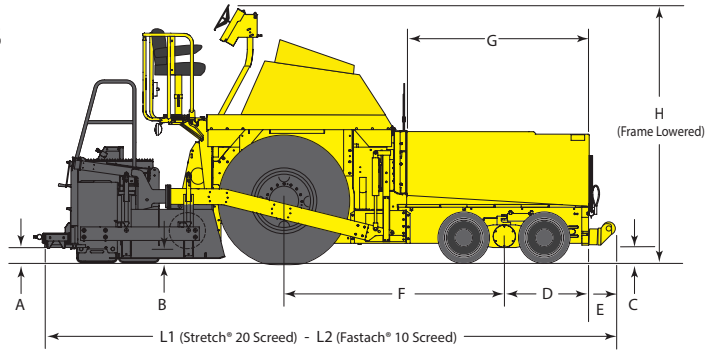
KEY FEATURES

- 14 ton hopper capacity
- Patented frame-raise system
- Three-point suspension system
- Direct hydrostatic drive
- Unique swinging control console
- Maximum paving width of 28 ft (8.5 m)
- Maximum paving depth of 12 in (305 mm)
- Heavy-duty slat / auger conveyor system
- High alloy cast slat conveyor liners



Technical Specifications

Cedarapids® CR452



Dimensions in inches (mm)

| Clearance | A | | B | | C |
|---------------|----------|--------------------|----------------------|---------|---|
| | Screed | Auger Screed Up | Auger Screed Down | Frame | |
| Frame Raised | 14 (356) | 8 (203) | 10 (254) | 5 (127) | |
| Frame Lowered | 8 (203) | 3.5 (89) | 5.5 (140) | 6 (152) | |

Standard Equipment

- Turbocharged 220 hp Tier 4i engine
- Power-tilt hood with radiator
- Lockout/tagout capable E-stop and master electrical switch
- Fume-recovery system
- Accessible filter locations
- All-welded mainframe construction
- Patented Frame Raise and Three-Point Suspension system
- Adjustable spreading auger height
- Reinforced, sealed, tilting hopper wings with beveled corners
- Hydraulically adjustable screed vibrators
- Hydraulic power crown control
- Adjustable material retaining plates
- Dual power-adjustable feed gates
- Oscillating front wheel bogie assemblies
- Hydraulic front wheel alignment
- Hydrostatic steering
- Operator's umbrella
- 30 ft hose reel for spray-down
- Back-up alarm

Mandatory Options (Select only one)

- Two-wheel drive **or** Front wheel assist
- Oscillating push rollers **or** Truck hitch

Optional Equipment

- Stretch® 20 screed with electric or oil heat
- Fastach® 10 screed with electric or oil heat
- Proportional steer assist
- Grade and slope control
- Multi-foot grade reference system
- Sonic averaging systems
- Bevel guide plates
- Cutoff shoes, 12" and 24" sections
- 500-hour filter kit
- Screed extensions
- Up time kit

Dimensions in inches (mm)

| D | E | F | G | H | L1 | L2 |
|----------|----------|-----------|-----------|------------|------------|------------|
| 36 (914) | 12 (305) | 88 (2235) | 71 (1803) | 104 (2642) | 233 (5918) | 222 (5639) |

Technical Data

Paver

| | | |
|-------------------------|----------------|---------------------------------------|
| Paver width..... | in (mm) | 124 (3150) |
| Paving width (max)..... | ft (m) | 28 (8.5) |
| Paving depth (max)..... | in (mm) | 12 (305) |
| Paving speed (max)..... | ft/min (m/min) | 305 (93) |
| Travel speed (max)..... | mph (kmph) | 10.5 (16) |
| Drive tires..... | | 16-ply 18 x 25 in (457 x 635 mm) |
| Front wheels..... | | 16 in wide x 22 in dia (406 x 559 mm) |
| Brakes..... | | multiple disc parking |

Weight*

| | | |
|---|----------|---------------|
| Tractor..... | lbs (kg) | 30595 (13878) |
| with Fastach® 10 and hydroflated tires..... | lbs (kg) | 34595 (15692) |
| with Stretch 20 and hydroflated tires..... | lbs (kg) | 38495 (17461) |

Engine

| | |
|--------------------------|---------|
| Engine manufacturer..... | Cummins |
| Type..... | QSB6.7 |
| Tier Compliance..... | Tier 4i |
| Performance..... | hp (kW) |
| Speed..... | rpm |
| Electrical..... | V |

Capacities

| | | |
|---------------------|---------|----------|
| Diesel fuel..... | gal (l) | 72 (273) |
| Hydraulic oil..... | gal (l) | 75 (284) |
| Cooling system..... | gal (l) | 6.5 (25) |

Spreading Auger Sections

| | |
|-------------------|------------------|
| Construction..... | Cast, high alloy |
| Diameter..... | in (mm) |
| Thickness..... | in (mm) |

Hopper

| | | |
|--------------------------------------|-----------------------------------|------------------------|
| Length and width..... | in (mm) | 71 (1803) x 119 (3013) |
| Volume..... | ft ³ (m ³) | 219 (6.2) |
| Capacity..... | tons (tonnes) | 14 (12.7) |
| Feed tunnel width (each)..... | in (mm) | 30 (762) |
| Slat conveyor liner (thickness)..... | in (mm) | 0.375 (9.5) |

Screed

| | | |
|---|---------|------------|
| Screed plate thickness..... | in (mm) | 0.5 (12.7) |
| Positive crown (hydraulically powered)..... | in (mm) | 3 (76) |
| Negative crown (hydraulically powered)..... | in (mm) | 1 (25) |
| Vibrations per minute (max)..... | | 3000 |

Screed Heaters

| | | |
|--|----|-----------|
| Stretch® 20 (electric heat) generator..... | kW | 34 |
| Stretch® 20 (four oil heaters) 274,000 BTU (total) gph (lph) | | 2 (7.6) |
| Fastach® 10 (electric heat) generator..... | kW | 34 |
| Fastach® 10 (two oil heaters) 178,000 BTU (total) gph (lph) | | 1.3 (4.9) |

Technical modifications reserved.
Machines may be shown with options.
*Weights are based on average shipping weights.



BOMAG Americas, Inc.
2000 Kentville Rd. • Kewanee, IL 61443
Tel: 309 853-3571 • Fax: 309 852-0350