



Terex[®] Minerals Processing Systems
Canica VSI

VERTICAL SHAFT IMPACT CRUSHERS



WORKS FOR YOU.

SERVING THE INDUSTRY SINCE 1974



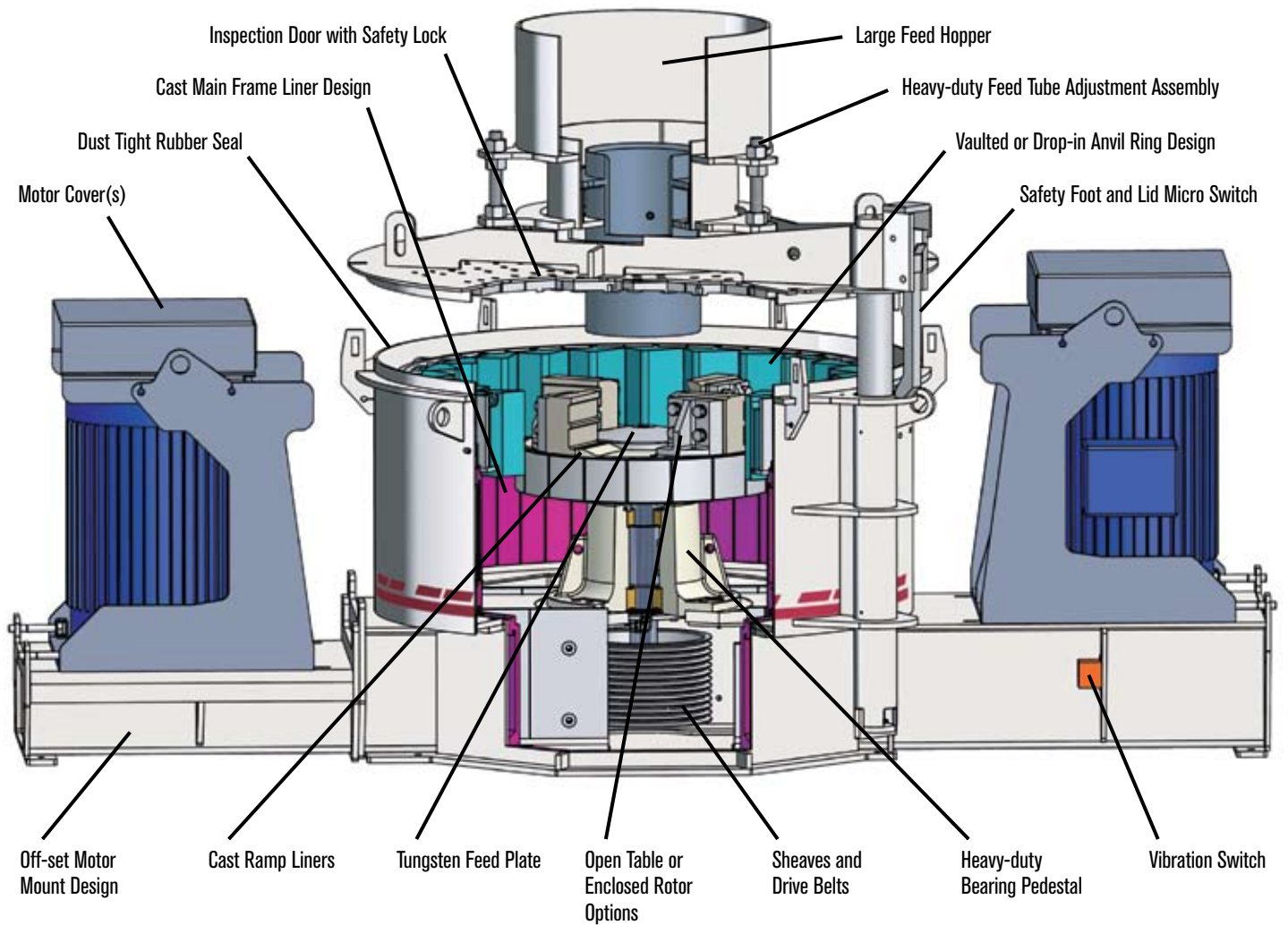
Vertical Shaft Impactor Benefits

- Very cubicle product
- Beneficiation of material (elimination of soft stone)
- Gradation consistency
- High product yield
- High fracture percentage
- Simple maintenance
- High throughput capacity
- Low capital investment

The Terex® Canica VSI Advantage

- Simple open table and enclosed rotor designs provide reliable performance and low maintenance
- High load capacity bearings extend operating life
- Multiple internal crusher configuration options
- Pinion gear drive option for models 2050 through 2500
- Fully equipped test crushing facility
- Reliable parts and service from experienced dealer organization
- 3 year crusher warranty

Standard Features



FLEXIBLE SOLUTIONS

A properly configured VSI is the key to minimizing wear costs and downtime, and maximizing profits. Therefore, we offer a full range of open shoe table and enclosed rotor systems to match your production and operational needs.

Interchangeable Crushing Chambers



Shoe and Anvil
(HD Series)



Rock on Anvil
(ROS Series)

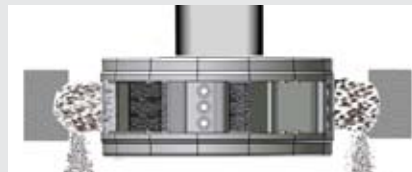


Rock on Rock
(ROR Series)



Large Feed, Mild to Medium-Abrasive Materials

Shoe and anvil configuration offers high tonnage of chip production, high reduction ratios and feed size flexibility.



High Reduction in Medium Abrasive Materials

Enclosed rotor and anvils combine the grinding action of the rotor with the high efficiency reduction of anvils.



For All Rock Types and the Most Abrasive Materials

Enclosed rotor and rock box configuration causes rock on rock crushing which produces the best shaped and most consistent material with the lowest wear cost.

Test Crushing



We offer material test crushing as a free service to ensure the Terex® Canica VSI crusher selected for your application is the appropriate size and configuration to meet your needs.

A full size vertical shaft impact crusher duplicates each of the models in the Terex® Canica family of crushers.

Internal Configuration Options



Heavy-Duty Table



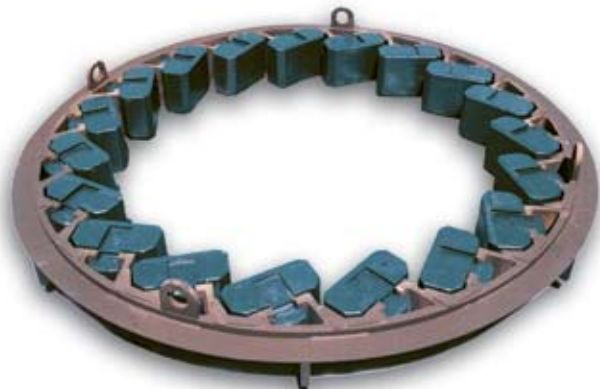
Rock On Rock Rotor



Anvil Ring Rotor



Vaulted Anvil Ring Assembly



Stob Anvil Ring Assembly

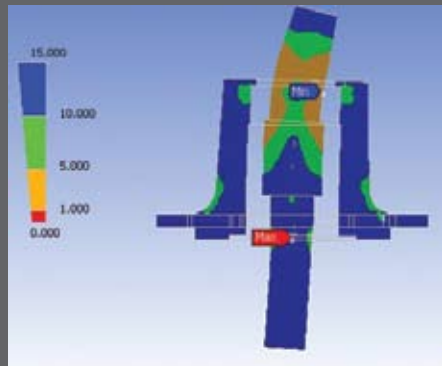
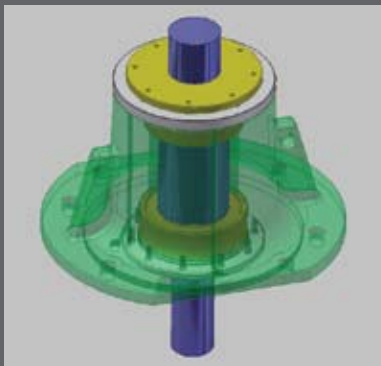


Rock Box

HIGH OUTPUT. LOW COST OF OWNERSHIP.



Configurations to Meet Your Needs – Portable, Stationary and Combination



High Bearing Capacity

The highly advanced Terex® Canica VSI, engineered by our team of experts utilizing finite element analysis, is built tough for long life and high production capability.

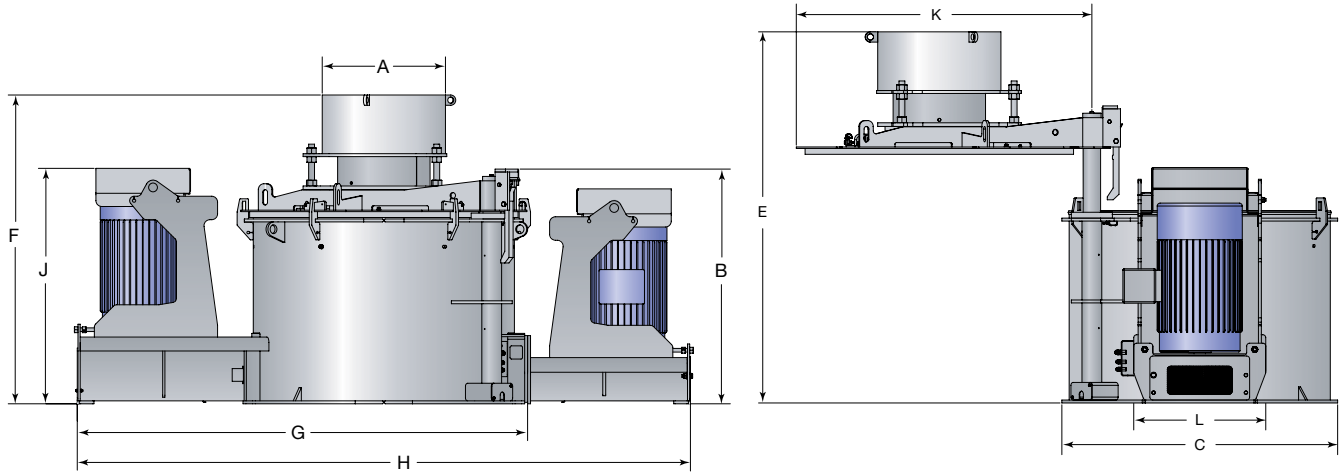


Conversion Kit

With a Terex® Canica Crushing Chamber Conversion Kit, you can benefit from all of the latest advancements in high chrome, ceramic, and tungsten carbide technologies in most existing VSI crushers.

Contact our sales department for details.

Technical Specifications



Model	1200	1400	2000SD Single Drive	2000DD Twin Drive	2050	100	2300	105	2350	2500	3000
A Feed Hopper	18" 457 mm	26" 660 mm	29" 737 mm	37" 940 mm	42" 1067 mm	37.5" 953 mm	42" 1067 mm	38" 965 mm	42" 1067 mm	48" 1219 mm	48" 1219 mm
B Crusher Height	53" 1346 mm	55" 1397 mm	70" 1778 mm	70" 1778 mm	80" 2032 mm	70" 1778 mm	80" 2032 mm	75" 1905 mm	80" 2032 mm	77" 1956 mm	85" 2159 mm
C Crusher Width	50" 1356 mm	65" 1651 mm	85" 2159 mm	85" 2159 mm	90" 2286 mm	95" 2413 mm	94" 2388 mm	95" 2413 mm	94" 2388 mm	107" 2718 mm	125" 3175 mm
E Height, Open	87" 2210 mm	93" 2362 mm	109" 2769 mm	109" 2769 mm	128" 3251 mm	115.5" 2934 mm	128" 3251 mm	119" 3023 mm	128" 3251 mm	119" 3023 mm	126" 3200 mm
F Height, Operating	65" 1651 mm	72" 1829 mm	87" 2209 mm	87" 2209 mm	105" 2667 mm	92.5" 2350 mm	105" 2667 mm	96" 2438 mm	105" 2667 mm	98" 2489 mm	102" 2591 mm
G Single Electric Base	90" 2286 mm	118" 2997 mm	151" 3835 mm	151" 3835 mm	153" 3886 mm	151.5" 3848 mm	153" 3886 mm	151.5" 3848 mm	153" 3886 mm	162" 4115 mm	180" 4572 mm
H Dual Electric Base	no	no	no	196" 4978 mm	208" 5283 mm	208" 5283 mm	208" 5283 mm	208" 5283 mm	208" 5283 mm	216" 5486 mm	236" 5994 mm
J Motor Mount Height	38" 965 mm	55" 1397 mm	69" 1753 mm	69" 1753 mm	80" 2032 mm	74.5" 1892 mm	80" 2032 mm	74.5" 1892 mm	80" 2032 mm	69" 1753 mm	72" 1829 mm
K Lid Swing Radius	53" 1346 mm	66" 1676 mm	84" 2134 mm	84" 2134 mm	91" 2311 mm	96.5" 2451 mm	101" 2565 mm	96.5" 2451 mm	101" 2565 mm	106" 2692 mm	127" 3226 mm
L Motor Mount Width	26" 660 mm	34" 864 mm	42" 1067 mm	42" 1067 mm	44" 1118 mm	42" 1067 mm	44" 1118 mm	42" 1067 mm	44" 1118 mm	42" 1067 mm	49" 1245 mm
*Crusher Weight lbs (kg)	8,000 (3629)	12,000 (5443)	24,220 (10,986)	27,500 (12,474)	31,000 (14,062)	31,200 (14,152)	34,000 (15,423)	40,000 (18,144)	36,000 (16,330)	51,000 (23,134)	58,000 (26,309)
Maximum Feed Size Longest Dimension (Open Table)	1-1/2" 38 mm	2" 51 mm	4" 102 mm	4" 102 mm	4" 102 mm	5" 127 mm	5" 127 mm	6" 152 mm	6" & 8" 152 mm & 203 mm	8" & 10" 203 mm & 254 mm	12" 305 mm
**Maximum Through-put Capacity TPH (tonnes) (Open Table)	70 TPH (64)	125 TPH (113)	250 TPH (227)	350 TPH (317)	400 TPH (363)	400 TPH (363)	500 TPH (454)	500 TPH (454)	600 TPH (544)	800 TPH (726)	1000 TPH (907)
Horsepower (kW) for Maximum Through-put (depending on application)	50-150 (37-112)	100-250 (75-186)	200-400 (149-248)	400-700 (298-522)	400-700 (298-522)	400-700 (298-522)	400-700 (298-522)	500-800 (373-594)	500-800 (373-594)	600-1000 (447-746)	700-1200 (522-894)

Note: *Weights are without motors. **Feed size and tons per hour dependent on type of feed and HP available. Consult factory for enclosed rotor capacities.



Terex® Minerals Processing Systems

North America

+1 (800) 248-3821

Latin/South America

+1 (989) 288-3121

Europe, Africa, Middle East

+44 (0) 28 82 418 790

Australia

+61 3 8551 9300

Hosur, India

+91 4344 302000

Delhi, India

+91 11 4361 0000

Kuala Lumpur, Malaysia

+60 3 5631 6199

Bangkok, Thailand

+66 38 214761

Give us a call to learn more about our extensive equipment range.

www.terexmps.com

Effective Date: February 2011. Product specifications and prices are subject to change without notice or obligation. The photographs and/or drawings in this document are for illustrative purposes only. Refer to the appropriate Operator's Manual for instructions on the proper use of this equipment. Failure to follow the appropriate Operator's Manual when using our equipment or to otherwise act irresponsibly may result in serious injury or death. The only warranty applicable to our equipment is the standard written warranty applicable to the particular product and sale and Terex makes no other warranty, express or implied. Products and services listed may be trademarks, service marks or trade-names of Terex Corporation and/or its subsidiaries in the USA and other countries. All rights are reserved. Terex is a registered trademark of Terex Corporation in the USA and many other countries. © 2011 Terex Corporation.

Terex® Minerals Processing Systems
Form 25522 (2/11)



WORKS FOR YOU.™