



Terex[®] Minerals Processing Systems
Simplicity M and DM

M SERIES

DM SERIES

INCLINED SCREENS



WORKS FOR YOU.

DEPENDABLE

Quality Equipment and Support You Can Depend On

Terex® Minerals Processing Systems understands your business and we are dedicated to offering cost-effective solutions for your needs.

In today's competitive environment, you need to have high quality equipment. It's even better to know that your equipment is backed by an outstanding support network.

Customer satisfaction is our goal. Our service, parts, applications and sales teams are trained to provide our customers with crushing and screening process knowledge and fast friendly service. With over eight decades of experience, you can depend on us.



TEREX®

Superior Equipment Design

Terex® Simplicity M (Single Mechanism) Inclined Screens

The Terex® Simplicity M Series is a two-bearing inclined screen designed for heavy-duty scalping, intermediate sizing and finished screening of virtually any material. We are happy to customize screens to fit your needs.

- ▶ Heavy-duty scalping
- ▶ Intermediate sizing
- ▶ Finished screening
- ▶ Virtually any material
- ▶ Available in a wide range of models, sizes and deck styles
- ▶ Applicable in all types of screening operations in virtually every industry requiring sizing of materials



Terex® Simplicity DM (Dual Mechanism) Inclined Screens

The Terex® Simplicity DM Series inclined screen is designed to handle heavy-duty jobs. The DM Series incorporates a dual-shaft mechanism that distributes vibrator forces to four bearings instead of two, greatly increasing bearing life and speed capabilities. If you want tough... choose Terex® Simplicity DM inclined screens for your heavy-duty jobs.

- ▶ Carry more load with increased bearing life
- ▶ Easy to retro-fit into existing structures
- ▶ Adjustable speed and stroke
- ▶ Available with heavy decks for urethane media
- ▶ High production, low maintenance
- ▶ Sizes ranging from 6' x 16' to 8' x 24' (4 decks available)
- ▶ DM140 and DM160 dual-shaft mechanisms available



WORKS FOR YOU.™

COST-EFFECTIVE

Versatile

Custom Screens To Fit Your Needs

Terex® Simplicity inclined screens are designed for most any application. We gladly customize screens to fit existing structures and individual customer needs.

Terex® Simplicity inclined screens can be mounted on coil springs...or suspended by rods or cables attached to the plant superstructure.

As with all Terex® Simplicity inclined screens, each deck is offset ahead to allow full use of screening area.

Back plates are standard equipment on all our inclined screens, offering extra rigidity and cleaner operation. Precision, HuckBolted® construction assures a screen that will operate at peak efficiency with a minimum of maintenance...year after year. You get a high rate of return for your investment with Terex® Simplicity inclined screens.

Reliable... Terex® Simplicity inclined screens have been performing reliably since 1921. All units are tested for a minimum of four hours prior to shipment.

Serviceable... standardized screen assemblies, sub-assemblies, and components are designed for quick, easy access and repair to minimize downtime and lost production. Precision self-aligning cartridge style bearings are press-fit, making inspection and maintenance simple.

Available... a multi-million dollar inventory of parts is maintained for fast, off-the-shelf availability. Around-the-clock 24-hour parts service is available for emergency shipments.

**Backed by 90+ Years of
Design/Build Experience**

Standard Features

Bearings

Terex® Simplicity inclined screens are fitted with wide series spherical roller bearings for vibrating screens. These bearings use the latest technology in design, materials and manufacture. They are proven to have long service life and reliability.

One-Piece Deck Construction

Decks are one-piece weldments with thick-wall pipe or tube cross members welded continuously at each end to heavy, one-piece channel side members. One-piece fully braced deck construction



ensures high structural strength and rigidity. Access to the decks is easy through our swing-down back plates. Crown bars are contoured and stitch-welded to the cross beams, rather than just welded to the tops of the beams.



Corner Supports

Extended corner supports provide significant reinforcement. The corner supports are HuckBolt® fastened, not welded, to all decks. This design assures the most effective load transfer from the decks to the support springs with minimal load on the side plates.

Reinforcement/Stiffener Plate

A flanged, reinforcement plate is HuckBolt® fastened to the side plate in the drive area on 6' (1829 mm) and larger width screens. This reinforcement plate significantly increases side plate strength in the drive area, enhancing side plate stiffness while reducing stress.



Bronze Sleeve Shaft Protectors

Bronze sleeves provide long term shaft protection from fretting corrosion and damage.



Replaceable Spring Guides

Bolt-on, replaceable spring guide plates are simple to remove and permit easy spring replacement.

HuckBolt® Fastening

Terex® Simplicity inclined screens utilize HuckBolt® fasteners to secure the decks to the side plates and elsewhere, providing permanent bolting that does not require retightening. HuckBolt® fasteners feature a collar that is hydraulically crimped to lock the bolt in place. This approach eliminates the possibility of a conventional bolt coming loose. As standard, a minimum of Grade #5 fasteners are used for high tensile strength. The large 6', 7' and 8' (1829, 2134 and 2438 mm) width screens are assembled using a double row of HuckBolt® fasteners on each side of the deck for greater rigidity and more even load transfer to the side plates.



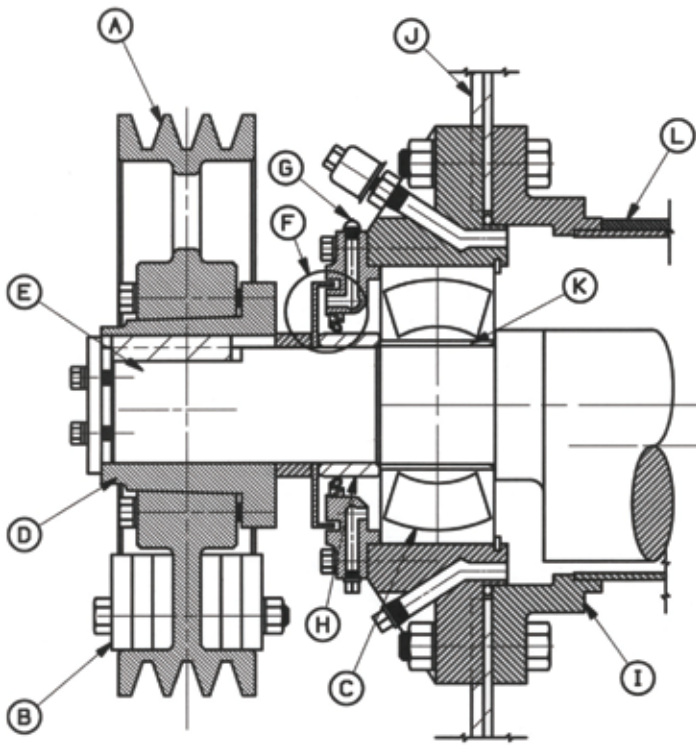
Options

- Motors
- Wedge take-ups
- Ball trays
- End tension decks
- Wear protection for deck cross members
- Rubber springs
- Center split cloth
- Recirculating oil lubrication systems, water or air cooled
- Dust enclosures
- Side plate liners and take-up rail liners
- Spray bars
- Extra deck clearance for three-deck models
- Urethane deck covering
- Asphalt cap on crown bars
- Spray systems

DURABLE

Eccentric Shaft Assembly

The essence of the Terex® Simplicity inclined screen is the heavy-duty eccentric shaft assembly. Our shaft assembly is built rugged to handle the continuous gyrating action essential to proper screening. We assure you of a high strength eccentric shaft assembly for long-life operation with minimum maintenance. Our rugged, durable construction is illustrated below.



Ready to Go, User-Friendly Design

Bearings are pressed into the bearing housing. The inner race floats on the shaft.

V-Belt Drive Standard Package

Heavy-duty V-belts, deep groove sheaves, flywheel guards, belt guards and a self-adjusting pivot motor base to maintain proper belt tension and minimize shock to motor. Motor base can be mounted in multiple positions and accommodate various V-belt drive angles.

- A.** Deep groove sheave to retain belts in the groove.
- B.** Bolt-on weights on the sheave and flywheel for easy stroke adjustments in the field to suit varying applications.
- C.** Wide 33 Series self-aligning double row spherical roller bearings provide greater load carrying capacity and long bearing life versus narrow 23 Series bearings.
- D.** Taper lock bushing on the sheave and flywheel to ensure quick and easy removal.
- E.** Double extended offset shaft to allow right or left hand drive without a corresponding change to the mechanism (available on M Series screens only).
- F.** Outer labyrinth seal that keeps dirt and contaminants out. Grease is pumped in through zerk fitting to provide the purging of dirt out and away from the inner seal.
- G.** Zerk fitting for grease purge outer labyrinth seal.
- H.** Replaceable wear sleeve is highly polished which provides for longer life of the inner seal.
- I.** One-piece shaft housing weldment.
- J.** Assembly reinforcement plate increases strength and distributes load to the screen decks, minimizing stress on the side plates.
- K.** Bronze sleeves provide long term shaft protection from fretting corrosion and damage.
- L.** Tube shielded for protection and long life.

90+ Years Of Design/Build Experience

You can have complete trust and confidence in Terex® Simplicity Inclined Screens.





Terex® Minerals Processing Systems

North America

+1 (800) 248-3821

Latin/South America

+1 (989) 288-3121

Europe, Africa, Middle East

+44 (0) 28 82 418 790

Australia

+61 3 8551 9300

Hosur, India

+91 4344 302000

Delhi, India

+91 11 4361 0000

Kuala Lumpur, Malaysia

+60 3 5631 6199

Bangkok, Thailand

+66 38 214761

Give us a call to learn more about our extensive equipment range.

www.terexmps.com

Effective Date: March 2011. Product specifications and prices are subject to change without notice or obligation. The photographs and/or drawings in this document are for illustrative purposes only. Refer to the appropriate Operator's Manual for instructions on the proper use of this equipment. Failure to follow the appropriate Operator's Manual when using our equipment or to otherwise act irresponsibly may result in serious injury or death. The only warranty applicable to our equipment is the standard written warranty applicable to the particular product and sale and Terex makes no other warranty, express or implied. Products and services listed may be trademarks, service marks or trade-names of Terex Corporation and/or its subsidiaries in the USA and other countries. All rights are reserved. Terex is a registered trademark of Terex Corporation in the USA and many other countries. © 2011 Terex Corporation.

Terex® Minerals Processing Systems
Form 25518 (3/11)



WORKS FOR YOU.™